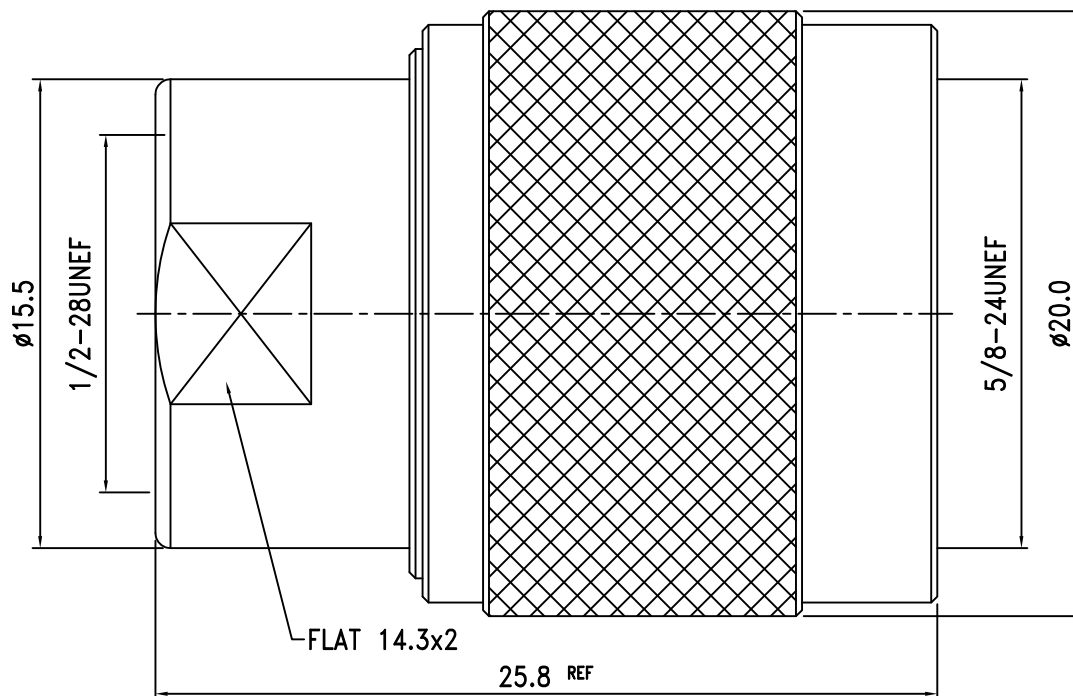


Electrical Characteristics	
Impedance	50 Ω
Frequency Range	0 ~ 6 GHz
V.S.W.R.	\leq 1.3 Max.



ROHS
COMPLIANT

7.	Shell	Brass	1	Nickel
6.	Gasket	Silicone	1	Red
5.	Retaining Ring	Brass	1	None
4.	Chassis	Brass	1	Nickel
3.	Insulation	PTFE	1	White
2.	Pin	Brass	1	Gold
1.	Body	Brass	1	Nickel
NO.	DESCRIPTION	MATERIAL	Q' TY	FINISH

繪圖DRAWN	SCALE	UNITS
Jenny	比例 4:1	單位 mm
審核CHECKED	公差TOLERANCE	
Peter	.X	± 0.2
主管APPROVAL	.XX	± 0.1
	.XXX	± 0.05
Peter	ANGLE	$\pm 0.5^\circ$



夏尼有限公司
SHINING PRECISION CO., LTD

圖名
TITLE

25-01-TGN

版次REV.

電腦圖檔CAD FILE

日期DATE

A

C:/SHINING/KIT-PARTS/25-01.DWG

2005.07.17