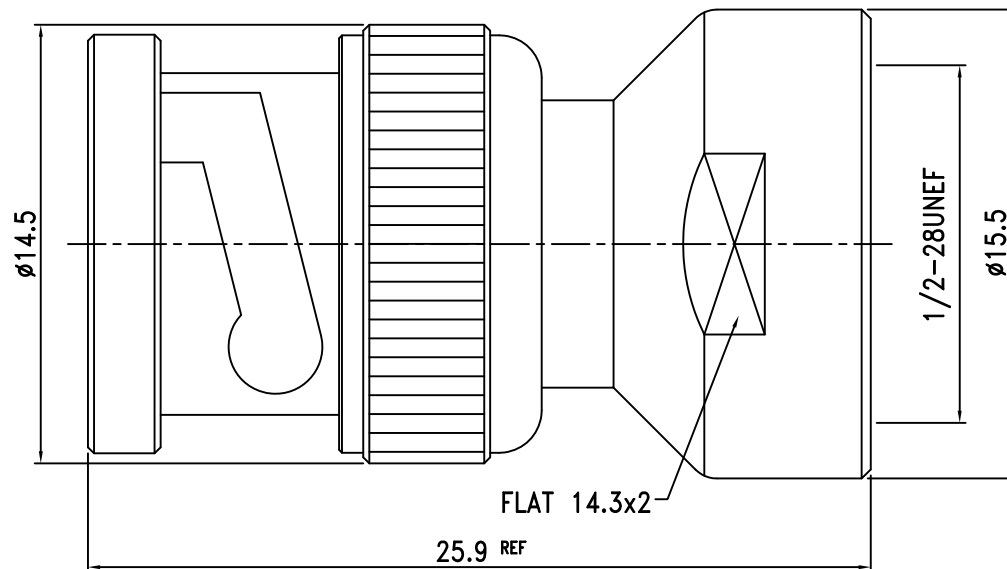


Electrical Characteristics	
Impedance	50 Ω
Frequency Range	0 ~ 4 GHz
V.S.W.R.	≤ 1.3 Max.



ROHS  
COMPLIANT

8.	Shell	Brass	1	Nickel
7.	Gasket	Rubber	1	Red
6.	Retaining Ring	SK-5	1	Nickel
5.	Spring	SK-5	1	Nickel
4.	Washer	Brass	1	Nickel
3.	Insulation	PTFE	1	White
2.	Pin	Brass	1	Gold
1.	Body	Brass	1	Nickel
NO.	DESCRIPTION	MATERIAL	Q' TY	FINISH

繪圖DRAWN	SCALE	UNITS		夏尼有限公司	
Jack	比例 4:1	單位 mm		SHINING PRECISION CO., LTD	
審核CHECKED	公差TOLERANCE		圖名	25-05-TGN	
Peter	.X	±0.2	TITLE		
主管APPROVAL	.XX	±0.1	版次REV.	電腦圖檔CAD FILE	日期DATE
	.XXX	±0.05	A	C:/SHINING/KIT-PARTS/25-05.DWG	2016.04.29
Peter	ANGLE	±0.5°			