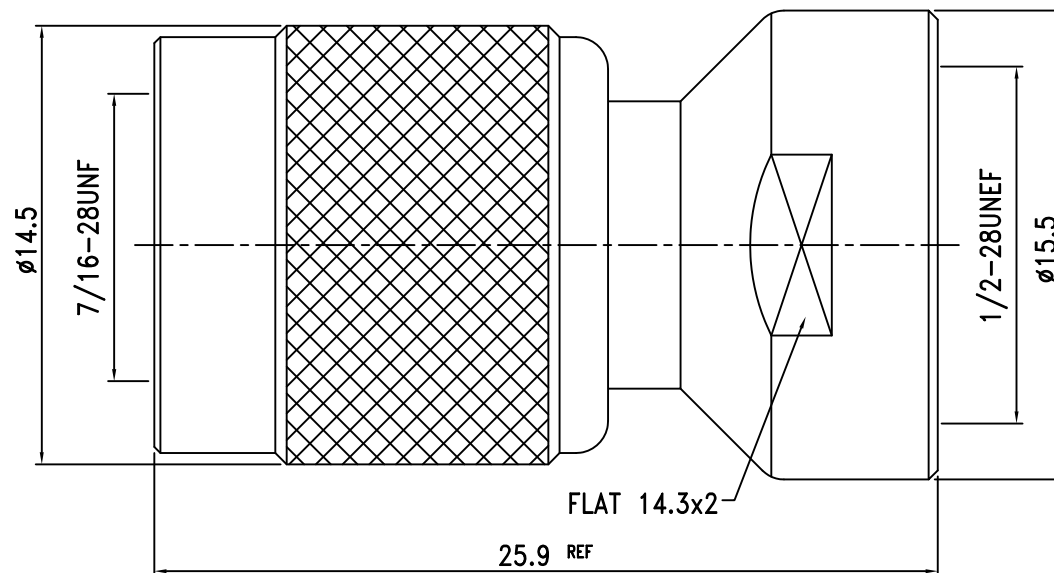


Electrical Characteristics	
Impedance	50 Ω
Frequency Range	0 ~ 4 GHz
V.S.W.R.	≦ 1.3 Max.



ROHS  
COMPLIANT

8.	Shell	Brass	1	Nickel
7.	Gasket	Rubber	1	Red
6.	Retaining Ring	SK-5	1	Nickel
5.	Insulation	Delrin	1	None
4.	Washer	Brass	1	Nickel
3.	Insulation	PTFE	1	White
2.	Pin	Brass	1	Gold
1.	Body	Brass	1	Nickel
NO.	DESCRIPTION	MATERIAL	Q' TY	FINISH

繪圖DRAWN	SCALE	UNITS	夏尼有限公司 SHINING PRECISION CO., LTD		
Jack	比例 4:1	單位 mm			
審核CHECKED	公差TOLERANCE				
<i>Peter</i>	.X	±0.2	圖名 TITLE	25-07-TGN	
主管APPROVAL	.XX	±0.1	版次REV.	電腦圖檔CAD FILE	日期DATE
	.XXX	±0.05	A	C:/SHINING/KIT-PARTS/25-07.DWG	2016.04.29
<i>Peter</i>	ANGLE	±0.5°			