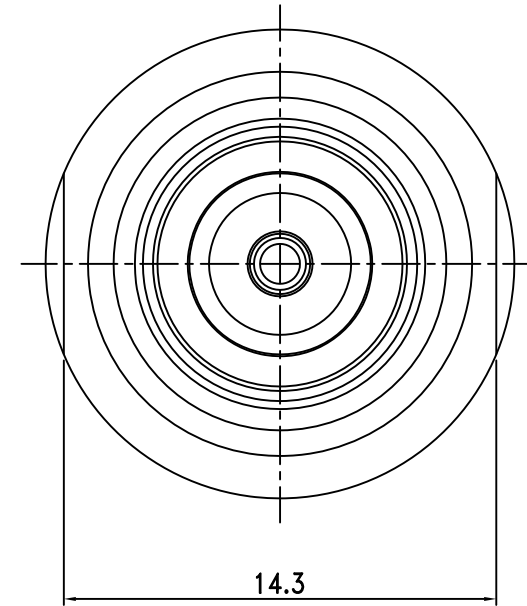
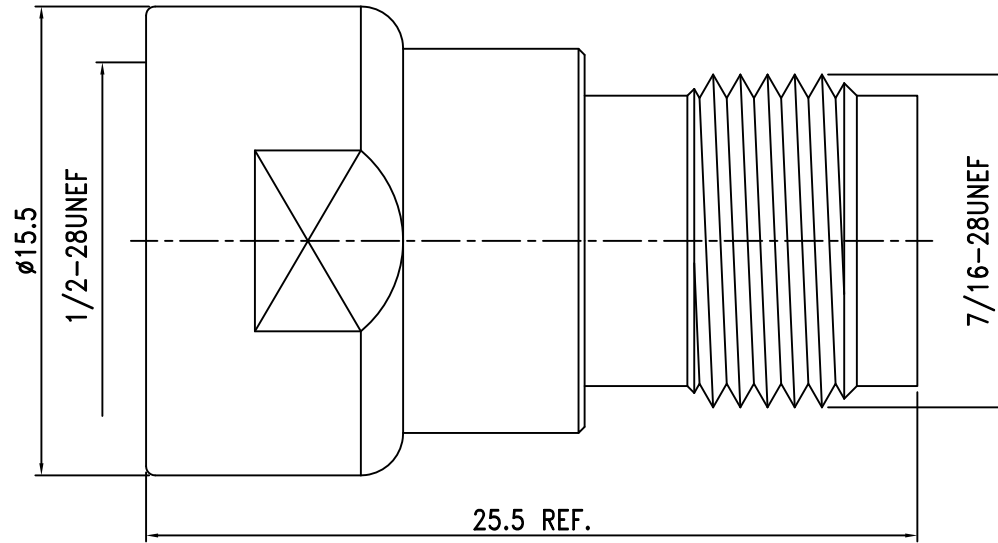


Electrical Characteristics	
Impedance	50 Ω
Frequency Range	0 ~ 4 GHz
V.S.W.R.	≤ 1.3 Max.




 ROHS
 COMPLIANT

NO.	DESCRIPTION	MATERIAL	Q' TY	FINISH
4.	Insulation	PTFE	1	White
3.	Pin	Brass	1	Gold
2.	Body	Brass	1	Nickel
1.	Body	Brass	1	Nickel

繪圖DRAWN	SCALE	UNITS
Jenny	比例 4:1	單位 mm
審核CHECKED	公差TOLERANCE	
Peter	.X	±0.2
主管APPROVAL	.XX	±0.1
Peter	.XXX	±0.05
	ANGLE	±0.5°



夏尼有限公司
 SHINING PRECISION CO., LTD

圖名 TITLE	25-08-TGN	
版次REV.	電腦圖檔CAD FILE	日期DATE
A	C:/SHINING/KIT-PARTS/25-08.DWG	2005.07.17