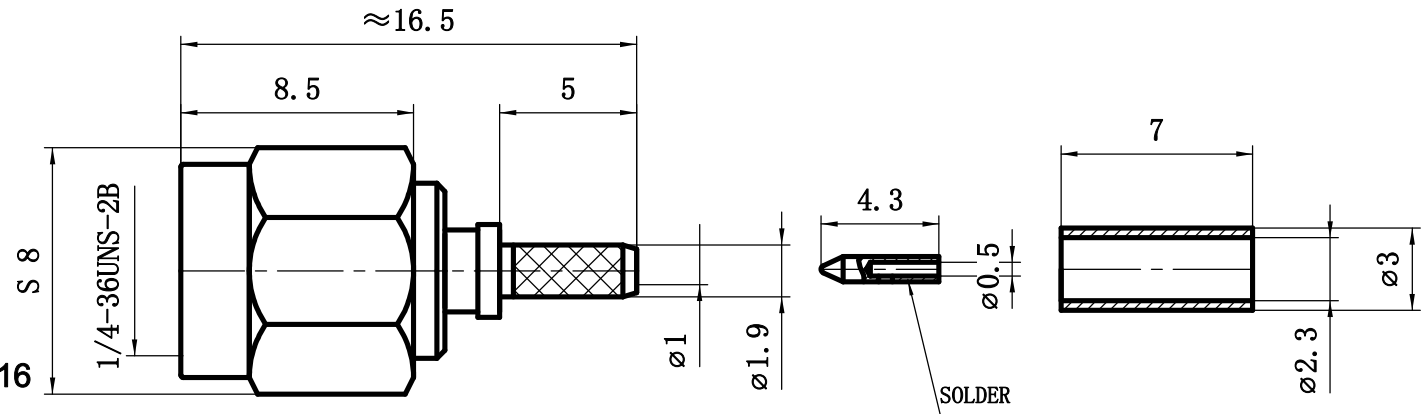


RevNo	Revision note	Date	Signature	Checked
V1.0	Sketch only	30/05/2024		

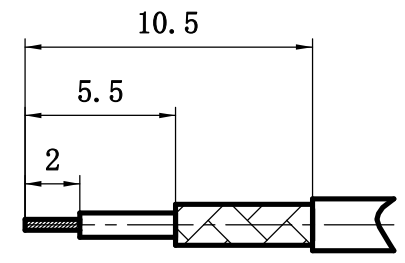
RoHS Compliant.



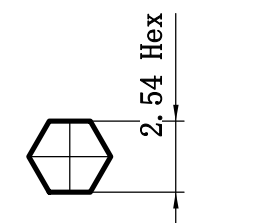
Interface Per: MIL-STD-348, IEC 60169-16
Cable Type: RG178
Material & Finishing:
 1. Center condutor: Brass Gold Plating
 2. Insulators: PTFE
 3. Body : Brass, Gold Plating

Electrical Data:
 1. Impedance: 50 Ohms
 2. Frequency: 0~6GHz
 3. VSWR: ≤1.1@900MHz,
 ≤1.15@1800MHz,
 ≤1.2@3000MHz,
 ≤1.3@6000MHz,
 4. Insertion loss: ≤0.05dB @ 900MHz,
 ≤0.05dB @ 1800MHz,
 ≤0.05dB @ 3000MHz,
 ≤0.1dB @ 6000MHz,
 5. Dielectric Withstanding voltage: 1000V Min
 6. Voltage Rating : 500V Max

Package : 1 PC per bag
Laser Mark: LenoRF



Suggested stripping



Recommended stamping hexagonal die size (cannula)

Label Contet

LenoRF
 Part No:3.12.1002
 Part Name:SMA PLUG CRIMP FOR RG178 CABLE
 QTY: 1 PC
 Date:WW/YY(Week/year)

Unless otherwise specified, tolerances as below: .X ±0.15 .XX ±0.1 .XXX ±0.05 Angle: ±2°	Material:	See Notes	Weight	g		
	Finish:	See Notes	Scale	3:1		
	Unit	mm	Page	01		
	REV.	V1.0	p/n	01		
Drawn		DATA:	Projection		DWG NO.	3. 12. 1002
Checked		DATA:	Title:	SMA PLUG CRIMP FOR RG178 CABLE		
Approved		DATA:			Cust P/N.	TBD