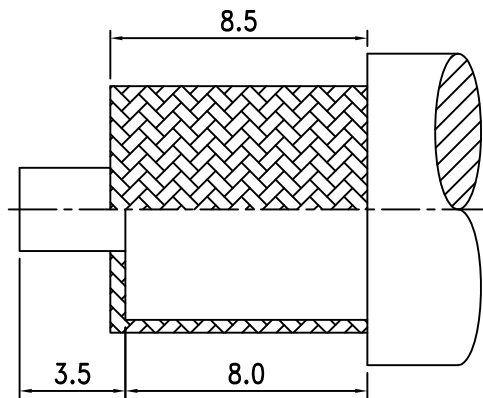
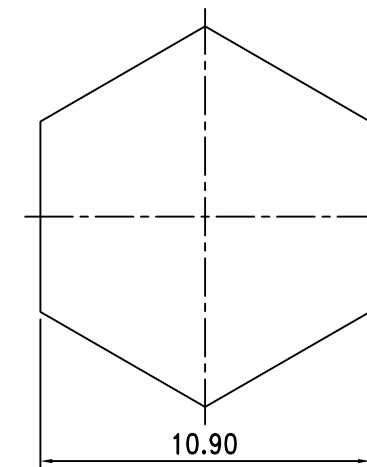
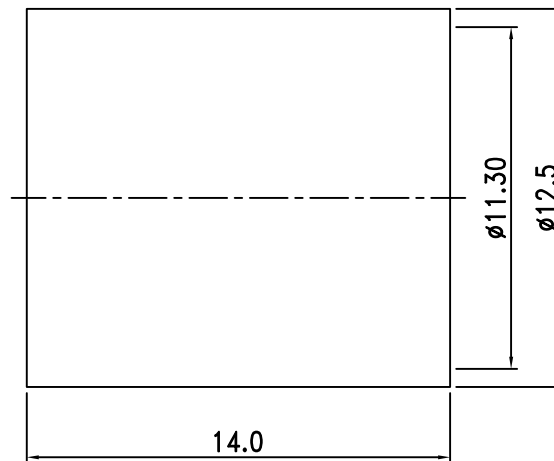
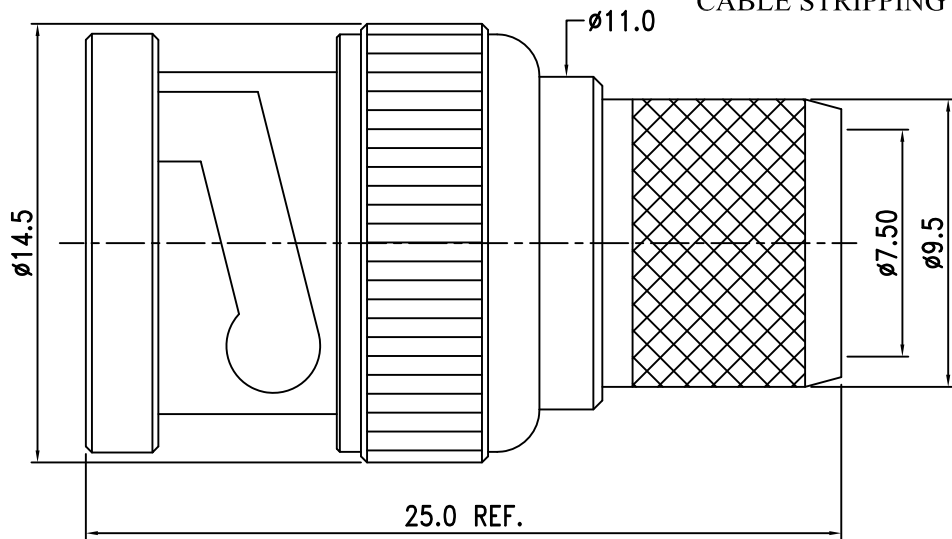
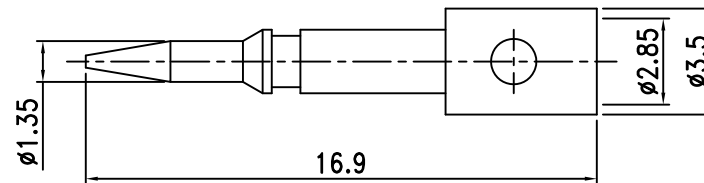


Electrical Characteristics	
Cable or Adaptor	LMR400
Impedance	50 Ω
Frequency Range	DC - 4 GHz
V.S.W.R.	≦ 1.30
Working Voltage	≦ 500 Vrms
Dielectric Withstanding Voltage	≦ 1500 Vrms



RECOMMENDED  
CABLE STRIPPING DIM'S



RECOMMENDED  
CRIMPING TOOL SIZE

ROHS  
COMPLIANT

9.	Ferrule	Brass	1	Nickel
8.	Shell	Brass	1	Nickel
7.	Gasket	Rubber	1	Red
6.	Retaining Ring	SK-5	1	Nickel
5.	Spring	SK-5	1	Nickel
4.	Washer	Brass	1	Nickel
3.	Insulation	PTFE	1	White
2.	Pin	Brass	1	Gold
1.	Body	Brass	1	Nickel
NO.	DESCRIPTION	MATERIAL	Q' TY	FINISH

繪圖DRAWN	SCALE	UNITS	圖名 TITLE	夏尼有限公司 SHINING PRECISION CO., LTD	
Kelly	比例 4:1	單位 mm			
審核CHECKED	公差TOLERANCE		A	C:/SHINING/BNC-PARTS/BNC-04T-1.DWG	2024.09.06
Peter	.X	±0.2			
主管APPROVAL	.XX	±0.1			
	.XXX	±0.05			
Peter	ANGLE	±0.5°			