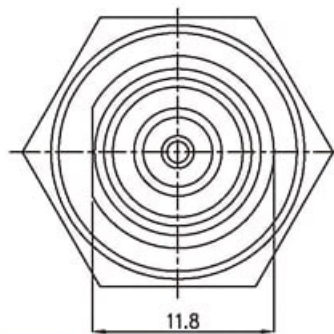
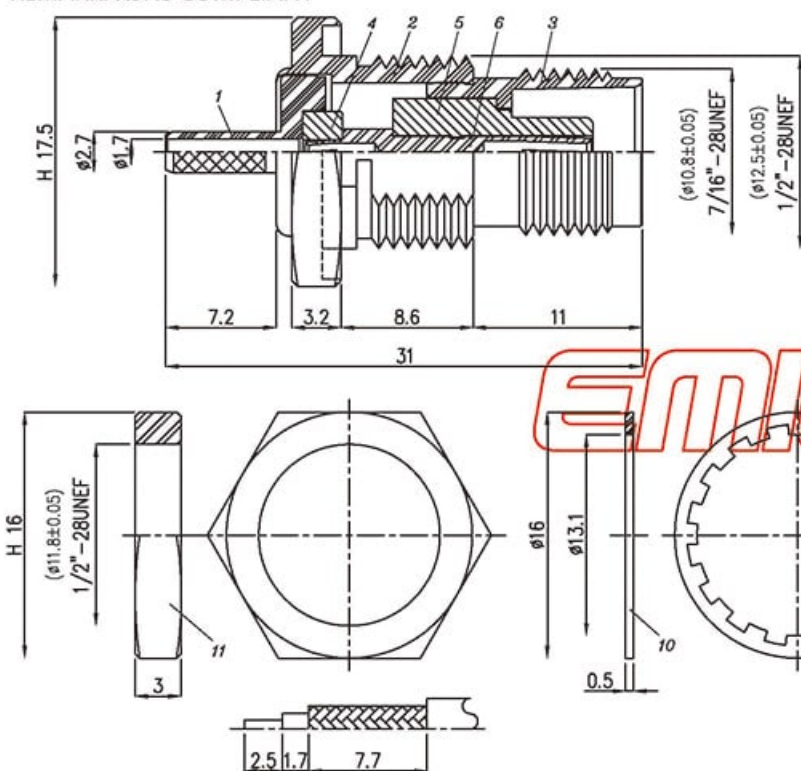
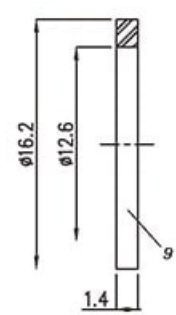
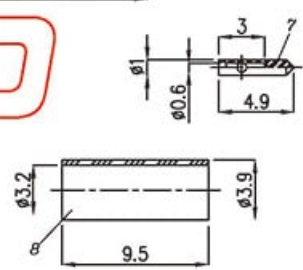
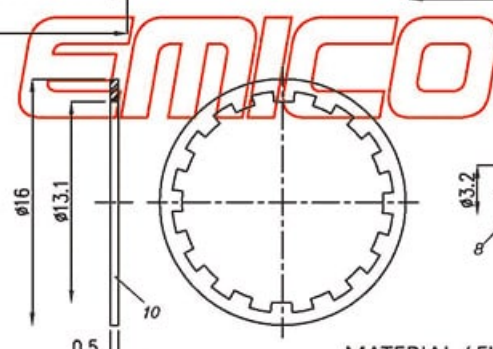
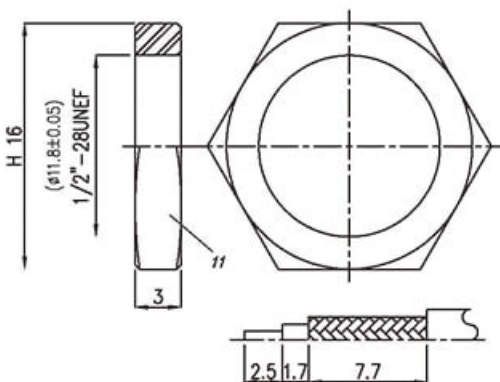


REMARK: RoHS COMPLIANT



NOTE:
 1. IP RATING: IP67
 2. PANEL THICKNESS:
 MAX. 5.0mm
 Crimp Tool:
 Pin: SQ 0.7mm or Solder
 Ferrule: HEX 0.137"



MATERIAL / FINISH
 1,2,3. BODY: BRASS / NICKEL
 4,5. INSULATION: PTFE
 6,7. CONTACT: BRASS / GOLD
 8. FERRULE: BRASS / NICKEL
 9. SEAL: RUBBER
 10. NUT: BRASS / NICKEL
 11. WASHER: BRASS / NICKEL

THIRD ANGLE	UNIT	DATE	TITLE:
	MM	2016/3/20	TNC Female B/H Crimp for RG-174
DRAWING BY	APPROVED BY	VERSION	DRAWING NO.
LEE	H	B	EM-TC006A-RG174-NGT

EMICO CONNECT YOUR LIFE
 TEL: +886-3-3117527; +886-3-3119828
 FAX: +886-3-2225330
 E-mail: emico.tw@msa.hinet.net
 Website: www.emico-tw.com.tw

EMICO INDUSTRY CORPORATION