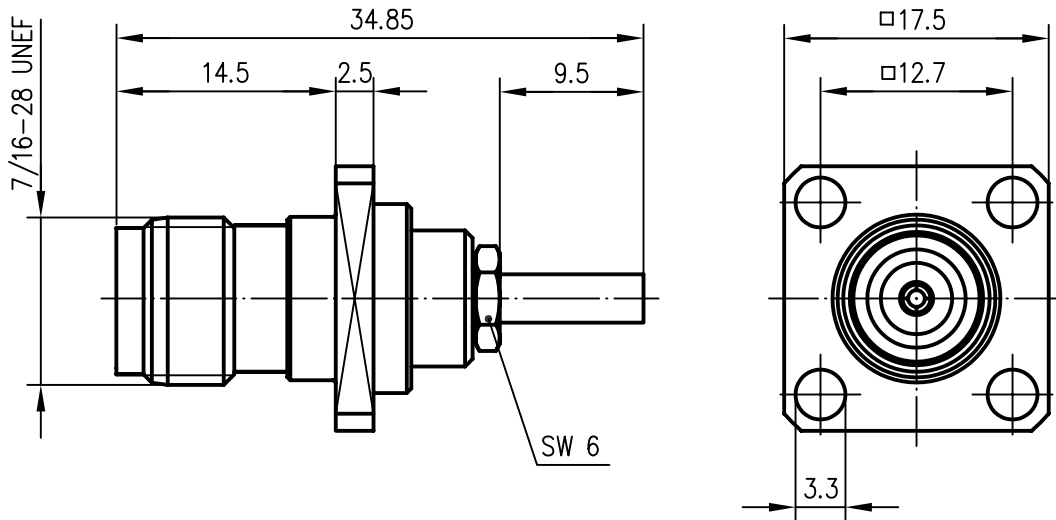
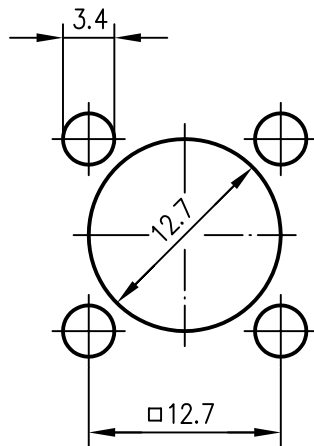


Alle Rechte vorbehalten / all rights reserved © Telegärtner K. Gärtner GmbH D-71144 Steinbronn Lerchenstraße 35 Germany Phone: +49 7157 125-0 Fax: +49 7157 125-120 www.telegartner.com

Anschlußmaße nach IEC 169-17 / mating face according to IEC 169-17



Montagebohrungen / panel piercings



| | | |
|--|-------------|-------------|
| Außenleiter / outer conductor | CuZn39Pb3 | Cu2Ni5 |
| Innenleiter / inner conductor | CuPb1.15Ni1 | Cu1Ni2Au0.8 |
| Crimprohr / crimp ferrule | SF Cu w | Ni5 |
| sonstige Metallteile / other metal parts | CuZn39Pb3 | Cu2Ni5 |
| Isolierungen / insulators | PTFE | |

Kabel / cable G7 : KX 22A, KX 3B, RG-174/U, ⓐ
RG-188A/U, RG-316/U

Montage / assembly A2903

| | | | | | | | |
|---|------|----------|----|---|---|---------------------------|-------------------------|
| a | 7710 | 21.03.97 | BI | 96 | Datum/date | Name/name | Werkstoff/ material |
| | | | | gez./drawn | 07.11. | BI | |
| | | | | gepr./appr. | 26.11.96 | BJ | Oberfläche/ finish |
| | | | | Norm/stand. | | | |
| | | | | Maßstab/scale | Benennung/title | | |
| | | | | 2:1 | TNC-Kabelbuchse m. Fl. TNC-Bulkhead Jack w. Flange | | |
| | | | | untl. Maße/ dim. without tolerances according to | Untert./doc.type | Zeichnungsnr./drawing no. | |
| | | | | K | J01011B0046 | | Maße/dimensions: mm |
| | | | | Ersatz für/ replaces | | | |
| | | | | Original: DIN A4 | | | |