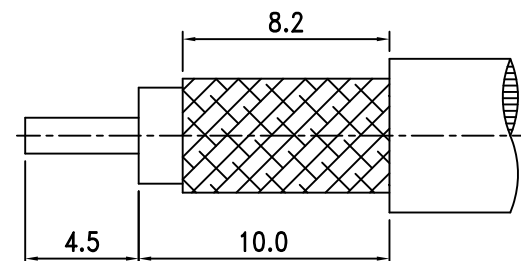
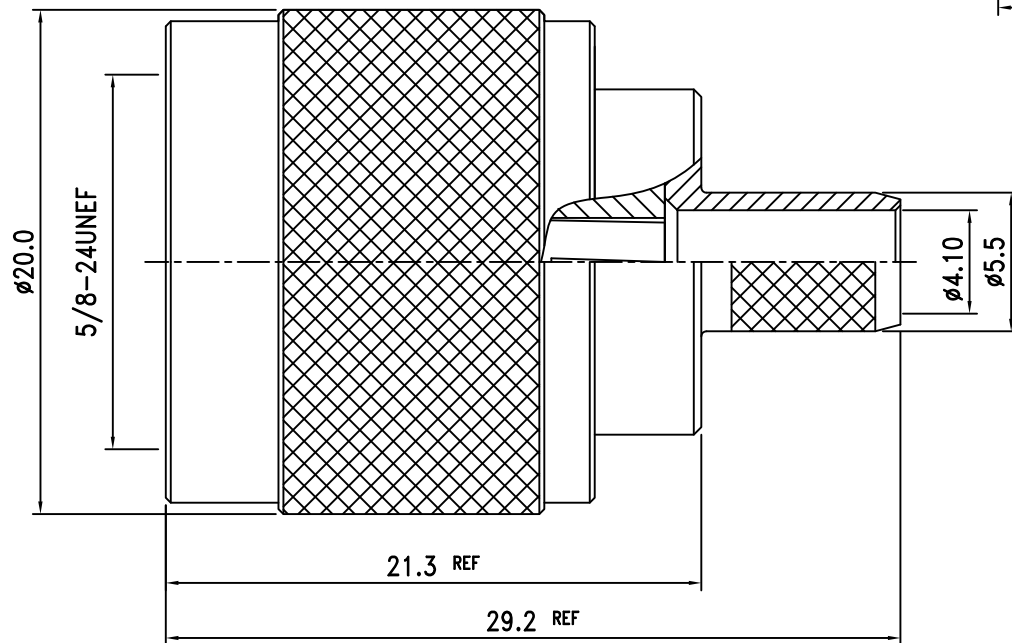
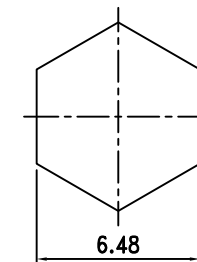


Electrical Characteristics	
Cable or Adaptor	LMR240
Impedance	50 Ω
Frequency Range	DC - 6 GHz
V.S.W.R.	≤ 1.30
Working Voltage	≤ 1000 Vrms
Dielectric Withstanding Voltage	≤ 2500 Vrms

NO.	DESCRIPTION	DATE
⚠	φ4.00 → φ4.10	2018.01.24



RECOMMENDED
CABLE STRIPPING DIM'S



RECOMMENDED
CRIMPING TOOL SIZE



8.	Ferrule	Brass	1	Nickel
7.	Shell	Brass	1	Nickel
6.	Gasket	Silicone	1	Red
5.	Retaining Ring	Brass	1	None
4.	Chassis	Brass	1	Nickel
3.	Insulation	PTFE	1	White
2.	Pin	Brass	1	Gold
1.	Body	Brass	1	Nickel
NO.	DESCRIPTION	MATERIAL	Q' TY	FINISH

繪圖DRAWN	SCALE	UNITS		夏尼有限公司	
Jenny	比例 10:3	單位 mm		SHINING PRECISION CO., LTD	
審核CHECKED	公差TOLERANCE		圖名	N-04LM-E-TGN	
Peter	.X	±0.2	TITLE		
主管APPROVAL	.XX	±0.1	版次REV.	電腦圖檔CAD FILE	日期DATE
	.XXX	±0.05	A	C:/SHINING/N-PARTS/N-04LM-E.DWG	2011.04.22
Peter	ANGLE	±0.5°			