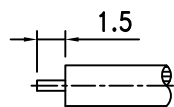
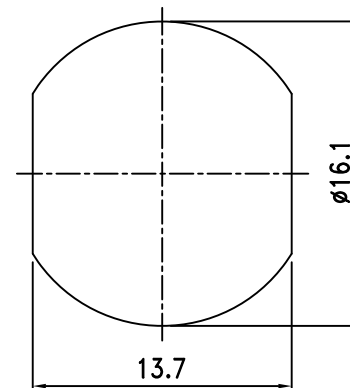


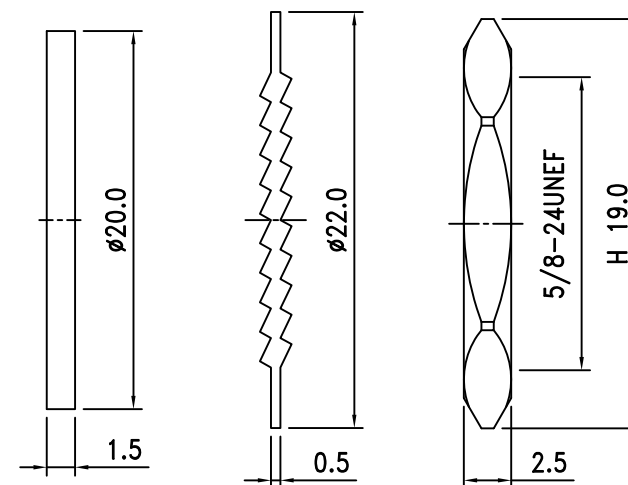
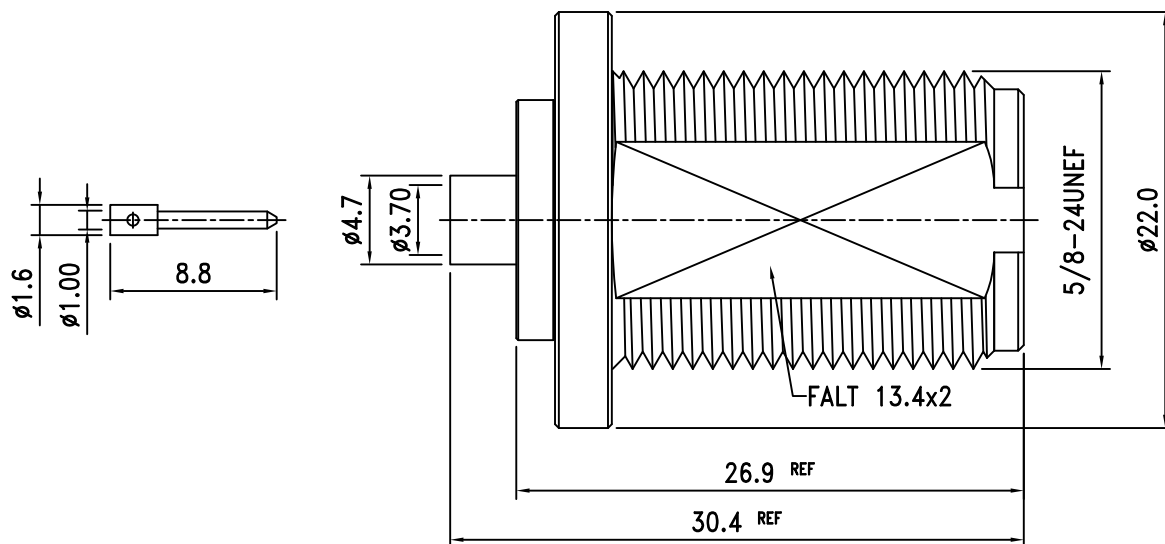
Electrical Characteristics	
Cable or Adaptor	RG402
Impedance	50 Ω
Frequency Range	DC - 6 GHz
V.S.W.R.	≦ 1.30
Working Voltage	≦ 1000 Vrms
Dielectric Withstanding Voltage	≦ 2500 Vrms



RECOMMENDED
CABLE STRIPPING DIM'S



RECOMMENDED
MOUNTING HOLE



ROHS
COMPLIANT

8.	Nut	Brass	1	Nickel
7.	Washer	Brass	1	Nickel
6.	Gasket	Si-Rubber	1	Red
5.	Insulation	PTFE	1	White
4.	Pin	Brass	1	Gold
3.	Pin	Brass	1	Gold
2.	Barrel	Brass	1	Gold
1.	Body	Brass	1	Nickel
NO.	DESCRIPTION	MATERIAL	Q' TY	FINISH

繪圖DRAWN	SCALE	UNITS
Jenny	比例 10:4	單位 mm
審核CHECKED	公差TOLERANCE	
Peter	.X	±0.2
主管APPROVAL	.XX	±0.1
	.XXX	±0.05
Peter	ANGLE	±0.5°

圖名 TITLE	夏尼有限公司 SHINING PRECISION CO., LTD	
N-19-141-TGN For Cable .141	電腦圖檔CAD FILE	日期DATE
版次REV.	A	C:/SHINING/N-PARTS/N-19-141.DWG 2008.04.29