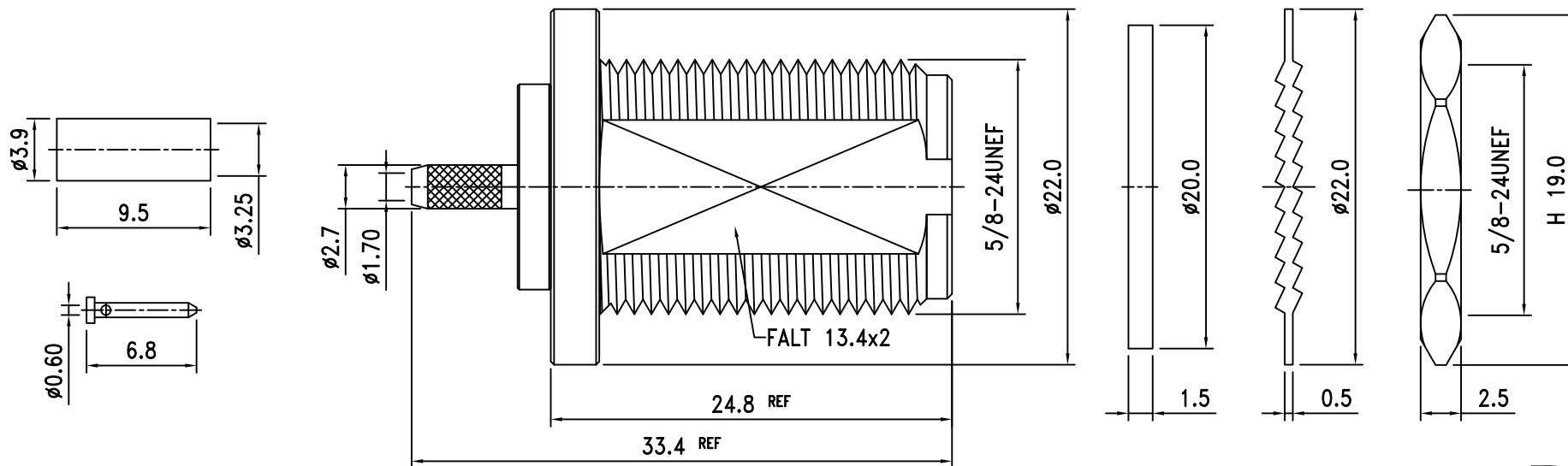
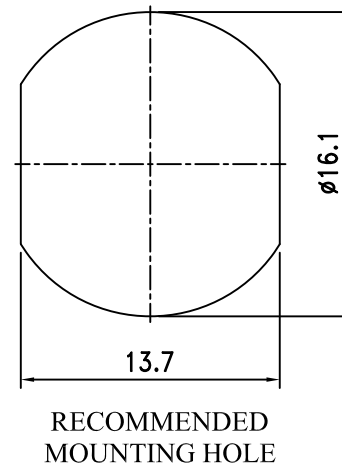
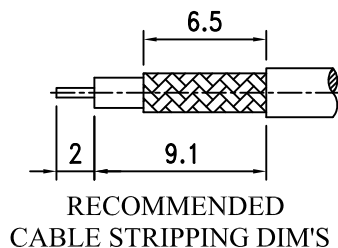


Electrical Characteristics	
Cable or Adaptor	RG174 / RG316
Impedance	50 Ω
Frequency Range	DC - 6 GHz
V.S.W.R.	≦ 1.30
Working Voltage	≦ 1000 Vrms
Dielectric Withstanding Voltage	≦ 2500 Vrms



9.	Ferrule	Brass	1	Nickel
8.	Nut	Brass	1	Nickel
7.	Washer	Brass	1	Nickel
6.	Gasket	Silicone	1	Red
5.	Insulation	PTFE	1	White
4.	Pin	Brass	1	Gold
3.	Pin	Brass	1	Gold
2.	Barrel	Brass	1	Nickel
1.	Body	Brass	1	Nickel
NO.	DESCRIPTION	MATERIAL	Q' TY	FINISH

繪圖DRAWN	SCALE	UNITS
Jenny	比例 10:4	單位 mm
審核CHECKED	公差TOLERANCE	
Peter	.X	±0.2
主管APPROVAL	.XX	±0.1
	.XXX	±0.05
Peter	ANGLE	±0.5°



夏尼有限公司
SHINING PRECISION CO., LTD

圖名 TITLE	版次REV.
N-20L-2-TGN For Cable RG-174U	電腦圖檔CAD FILE
A	日期DATE

C:/SHINING/N-PARTS/N-20L-2.DWG	2005.09.09
--------------------------------	------------

ROHS
COMPLIANT