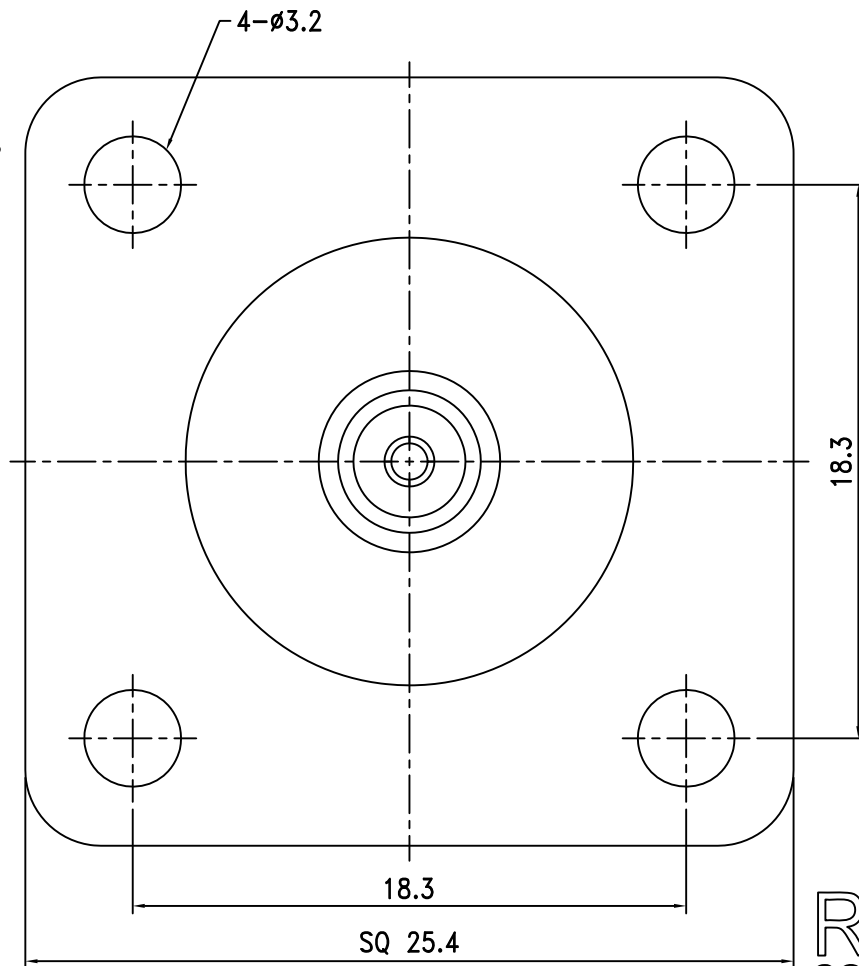
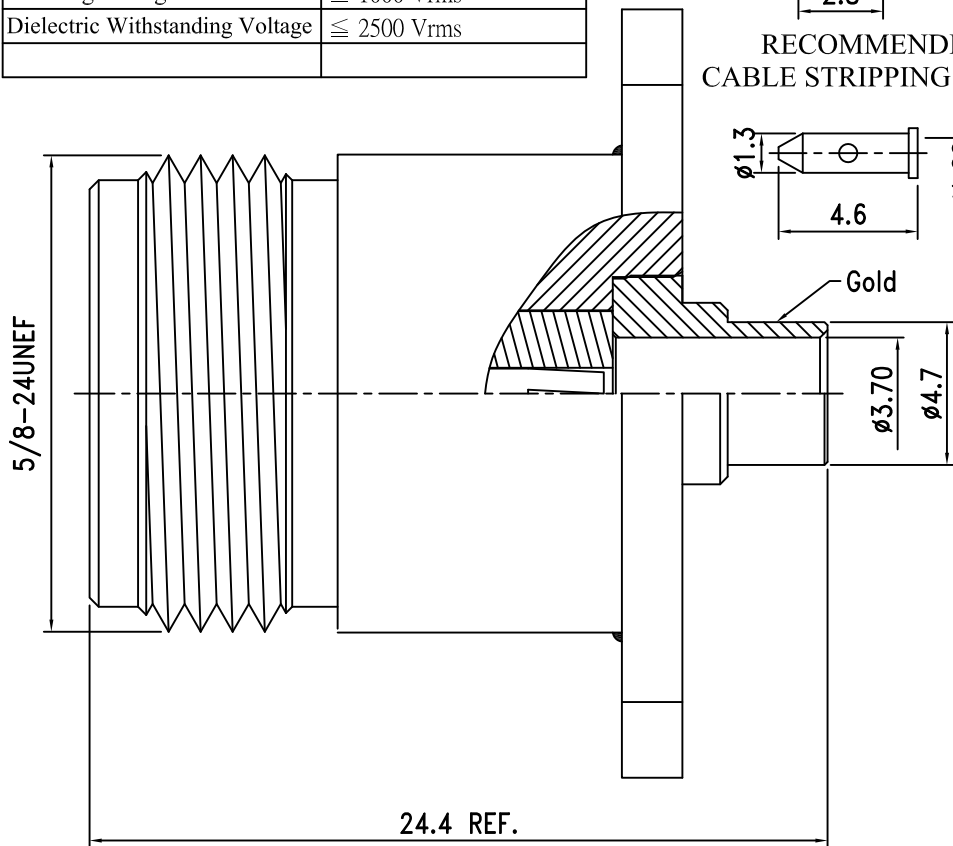
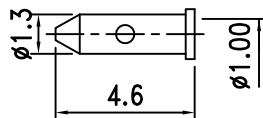
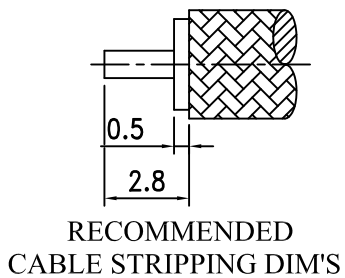


Electrical Characteristics	
Cable or Adaptor	RG402
Impedance	50 Ω
Frequency Range	DC - 6 GHz
V.S.W.R.	≦ 1.25
Working Voltage	≦ 1000 Vrms
Dielectric Withstanding Voltage	≦ 2500 Vrms



ROHS
COMPLIANT

NO.	DESCRIPTION	MATERIAL	Q' TY	FINISH
7.				
6.	Washer	Brass	1	Nickel
5.	Pin	Brass	1	Gold
4.	Pin	Brass	1	Gold
3.	Insulation	PTFE	1	White
2.	Barrel	Brass	1	Gold
1.	Body	Brass	1	Nickel

繪圖DRAWN	SCALE	UNITS
Kelly	比例 4:1	單位 mm
審核CHECKED	公差TOLERANCE	
Peter	.X	±0.2
主管APPROVAL	.XX	±0.1
	.XXX	±0.05
Peter	ANGLE	±0.5°

圖名		夏尼有限公司 SHINING PRECISION CO., LTD	
TITLE	N-38-141-TGN	N Female Panle Mount For Semi-rigid .141"	
版次REV.	A	電腦圖檔CAD FILE	日期DATE
		C:/SHINING/N-PARTS/N-38-141.DWG	2024.03.14