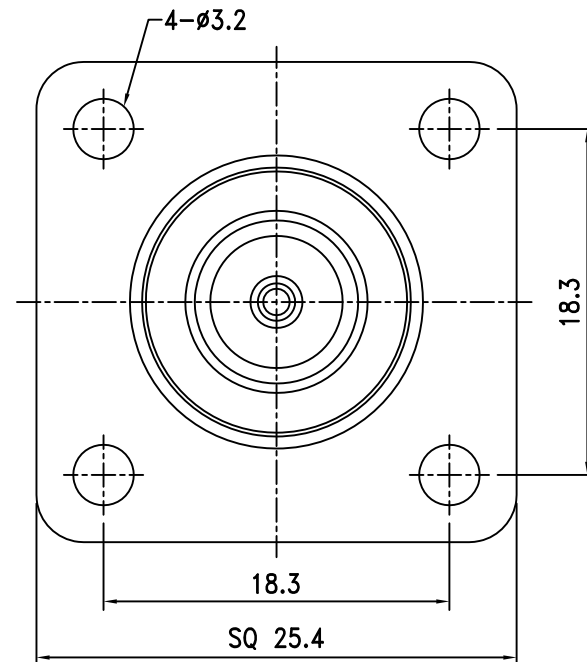
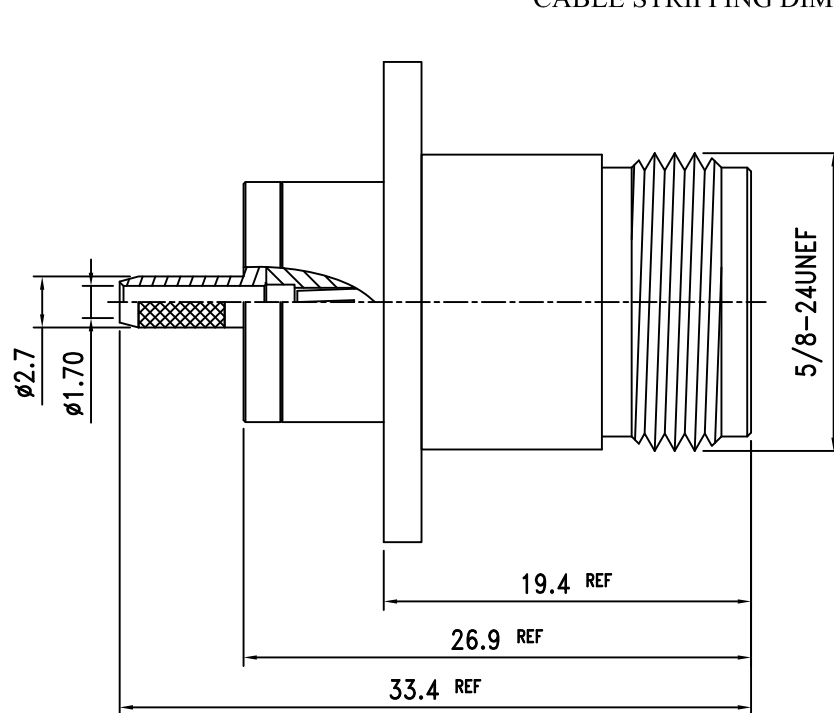
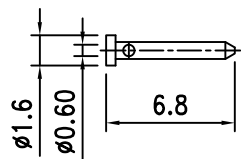
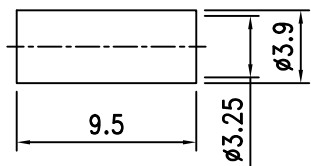
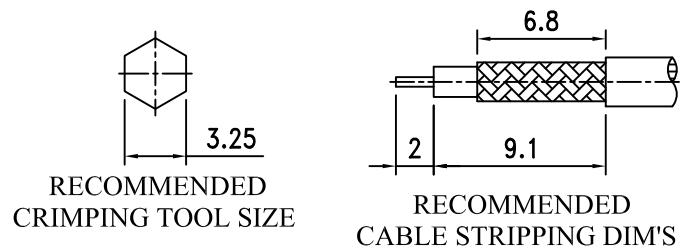


Electrical Characteristics	
Cable or Adaptor	RG174 / RG316
Impedance	50 Ω
Frequency Range	DC - 6 GHz
V.S.W.R.	≦ 1.35
Working Voltage	≦ 1000 Vrms
Dielectric Withstanding Voltage	≦ 2500 Vrms



ROHS  
COMPLIANT

7.	Washer	Brass	1	Nickel
6.	Ferrule	Brass	1	Nickel
5.	Insulation	PTFE	1	White
4.	Pin	Brass	1	Gold
3.	Pin	Brass	1	Gold
2.	Barrel	Brass	1	Nickel
1.	Body	Brass	1	Nickel
NO.	DESCRIPTION	MATERIAL	Q' TY	FINISH

繪圖DRAWN	SCALE	UNITS
Jenny	比例 10:4	單位 mm
審核CHECKED	公差TOLERANCE	
Peter	.X	±0.2
主管APPROVAL	.XX	±0.1
	.XXX	±0.05
Peter	ANGLE	±0.5°

	夏尼有限公司 SHINING PRECISION CO., LTD	
	圖名 TITLE	N-38L-1-TGN For Cable RG-174U
版次REV.	電腦圖檔CAD FILE	日期DATE
A	C:/SHINING/N-PARTS/N-38L-1.DWG	2011.05.17