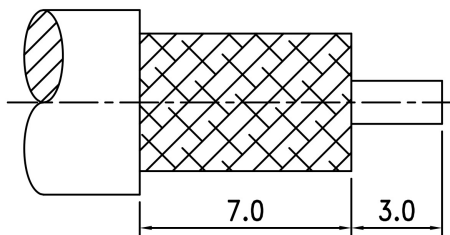
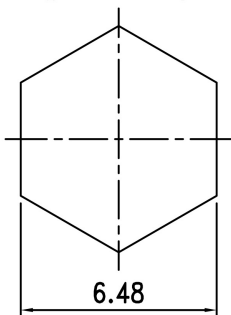


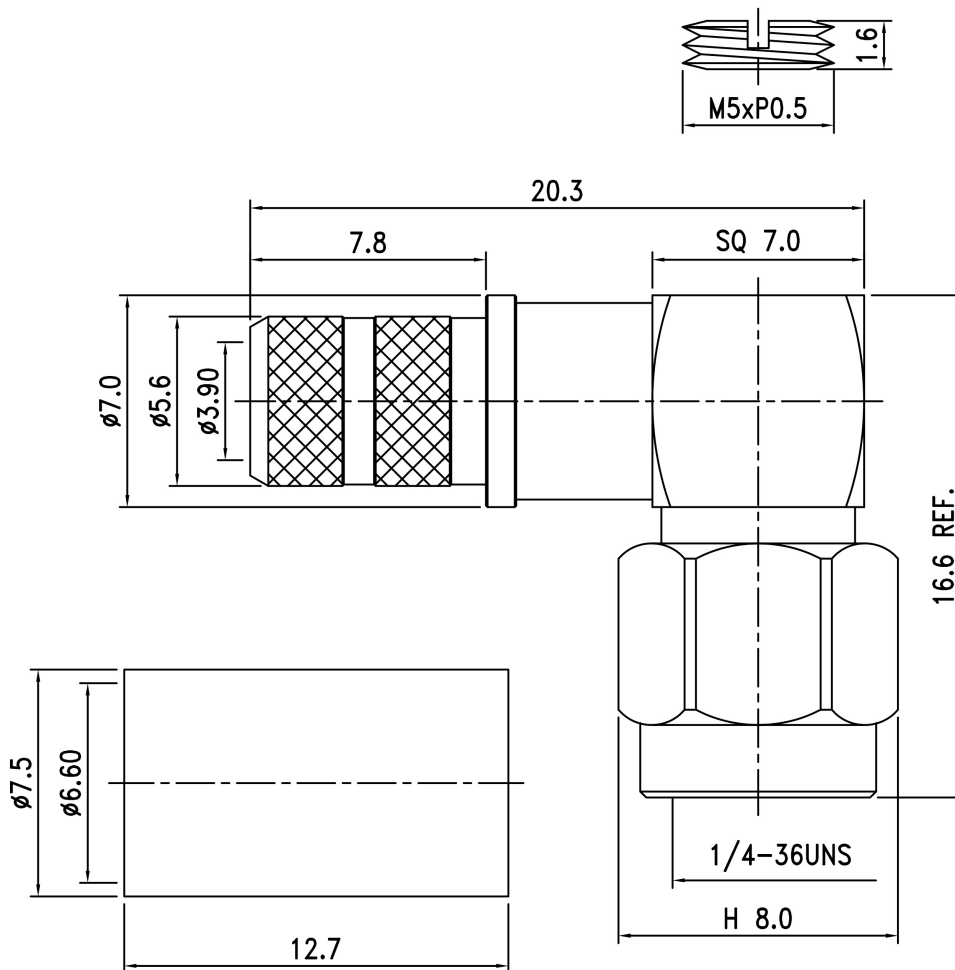
Electrical Characteristics	
Cable or Adaptor	LMR240
Impedance	50 Ω
Frequency Range	DC - 6 GHz
V.S.W.R.	≤ 1.40
Working Voltage	≤ 335 Vrms
Dielectric Withstanding Voltage	≤ 1000 Vrms



RECOMMENDED  
CABLE STRIPPING DIM'S



RECOMMENDED  
CRIMPING TOOL SIZE



10.	Screw	Brass	1	Gold
9.	Ferrule	Brass	1	Gold
8.	Shell	Brass	1	Gold
7.	Gasket	Silicone	1	Red
6.	Retaining Ring	Beryllium	1	None
5.	Insulation	PTFE	1	White
4.	Pin	Brass	1	Gold
3.	Pin	Brass	1	Gold
2.	Body	Brass	1	Gold
1.	Body	Brass	1	Gold
NO.	DESCRIPTION	MATERIAL	Q' TY	FINISH

繪圖DRAWN	SCALE	UNITS	夏尼有限公司 SHINING PRECISION CO., LTD		
Kelly	比例 4:1	單位 mm			
審核CHECKED	公差TOLERANCE				
Peter	.X	±0.2	圖名	SMA-01LM-3-TGG	
主管APPROVAL	.XX	±0.1	TITLE	For Cable LMR240	
	.XXX	±0.05	版次REV.	電腦圖檔CAD FILE	
Peter	ANGLE	±0.5°	A	C:/SHINING/SMA-FINISH/LUS/SMA-01LM-3.DWG	
				日期DATE	2024.08.26

ROHS  
COMPLIANT