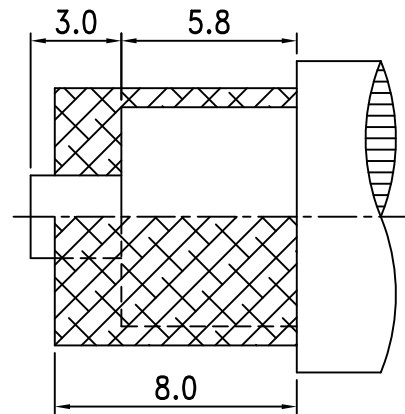
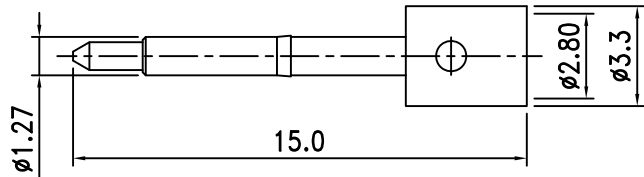
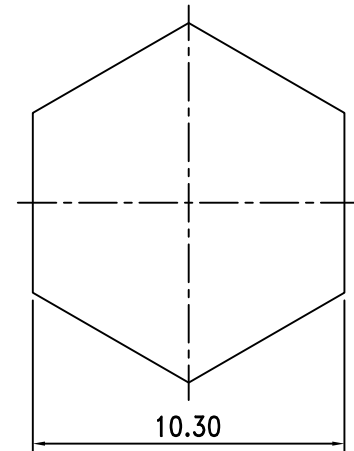


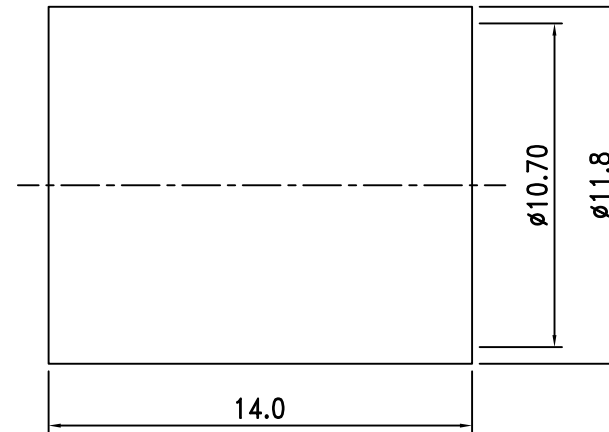
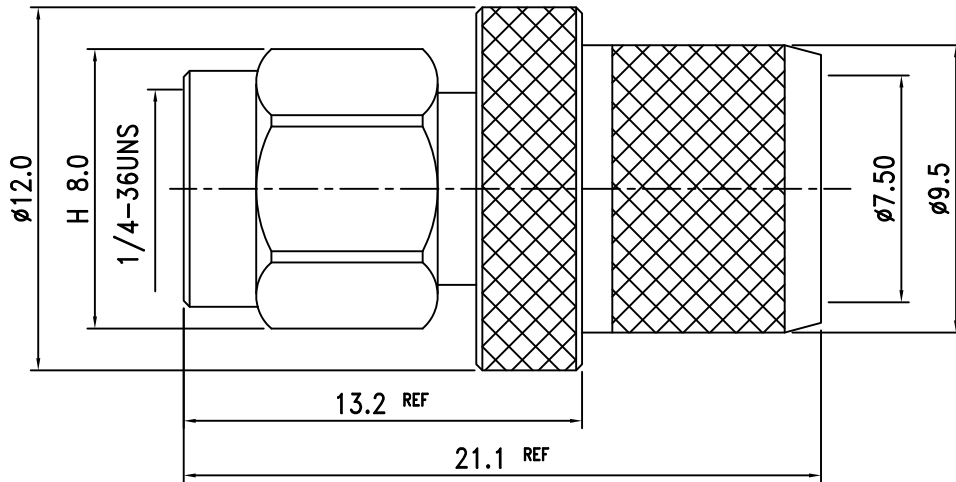
Electrical Characteristics	
Cable or Adaptor	LMR400
Impedance	50 Ω
Frequency Range	DC - 6 GHz
V.S.W.R.	≤ 1.25
Working Voltage	≤ 480 Vrms
Dielectric Withstanding Voltage	≤ 1000 Vrms



RECOMMENDED  
CABLE STRIPPING DIM'S



RECOMMENDED  
CRIMPING TOOL SIZE



ROHS  
COMPLIANT

7.	Ferrule	Brass	1	Gold
6.	Shell	Brass	1	Gold
5.	Gasket	Si-Rubber	1	Red
4.	Retaining Ring	SUS304	1	None
3.	Insulation	PTFE	1	White
2.	Pin	Brass	1	Gold
1.	Body	Brass	1	Gold
NO.	DESCRIPTION	MATERIAL	Q' TY	FINISH

繪圖DRAWN	SCALE	UNITS
Jack	比例 4:1	單位 mm
審核CHECKED	公差TOLERANCE	
Peter	.X	±0.2
主管APPROVAL	.XX	±0.1
Peter	.XXX	±0.05
	ANGLE	±0.5°



夏尼有限公司  
SHINING PRECISION CO., LTD

圖名  
TITLE

SMA-02T-S1-TGG For Cable LMR-400

版次REV.

電腦圖檔CAD FILE

日期DATE

B

C:/SHINING/SMA-PARTS/SMA-02T-S1.DWG

2015.11.19