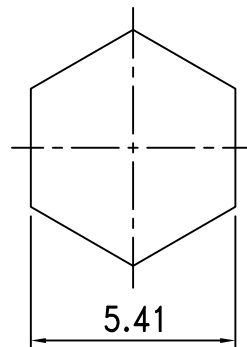
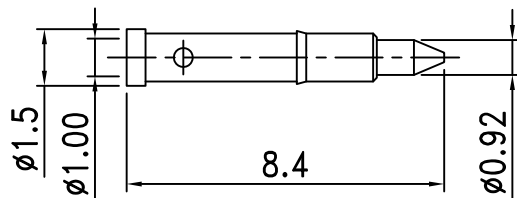
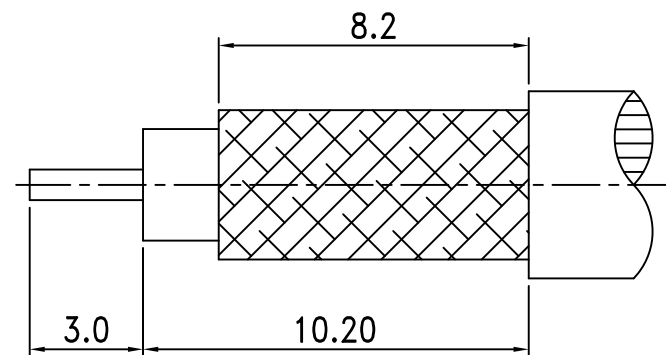


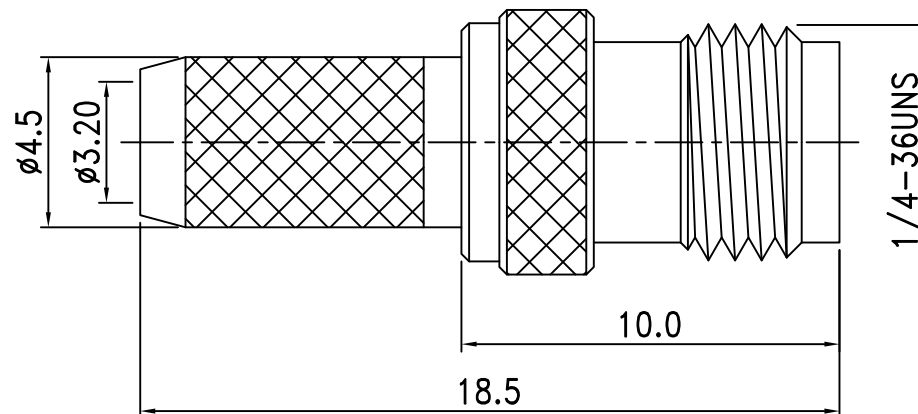
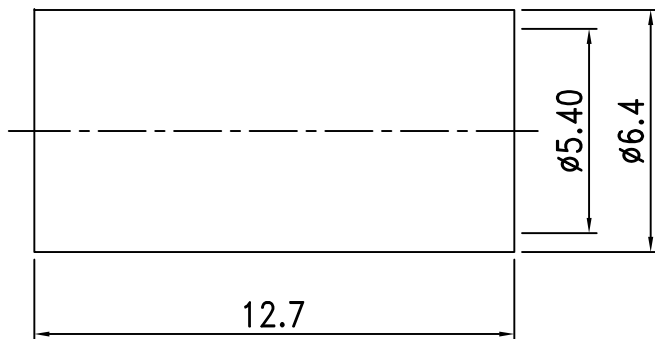
Electrical Characteristics	
Cable or Adaptor	RG58
Impedance	50 Ω
Frequency Range	DC - 6 GHz
V.S.W.R.	≤ 1.25
Working Voltage	≤ 335 Vrms
Dielectric Withstanding Voltage	≤ 1000 Vrms



RECOMMENDED
CRIMPING TOOL SIZE



RECOMMENDED
CABLE STRIPPING DIM'S
(建議剝線尺寸)



ROHS
COMPLIANT

NO.	DESCRIPTION	MATERIAL	Q' TY	FINISH
4.	Ferrule	Brass	1	Gold
3.	Insulation	PTFE	1	White
2.	Pin	Brass	1	Gold
1.	Body	Brass	1	Gold

繪圖DRAWN	SCALE	UNITS	夏尼有限公司 SHINING PRECISION CO., LTD	
Jenny	比例 5:1	單位 mm	圖名 TITLE SMA-03F-RP-TGG For Cable RG-58U	
審核CHECKED	公差TOLERANCE			
Peter	.X	±0.2	版次REV.	電腦圖檔CAD FILE
主管APPROVAL	.XX	±0.1	日期DATE	
Peter	.XXX	±0.05	C:/SHINING/SMA-PARTS/SMA-03F-RP.DWG	
	ANGLE	±0.5°	B	2005.03.01