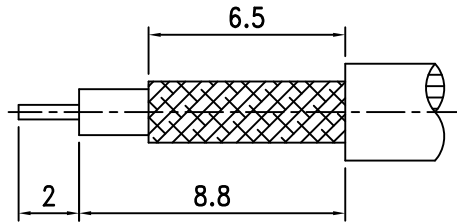
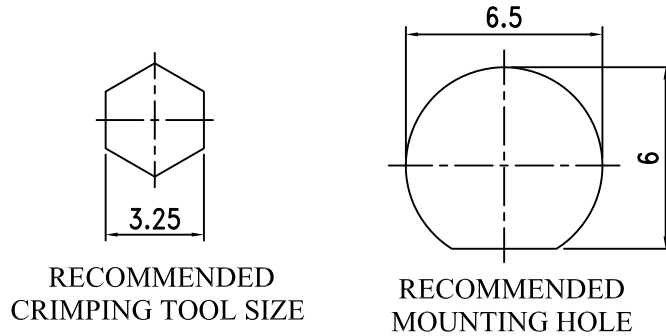
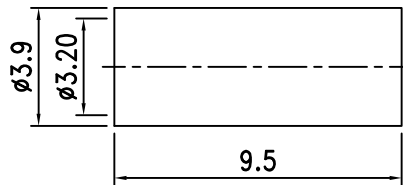
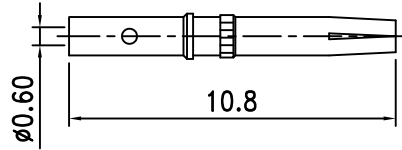


Electrical Characteristics	
Cable or Adaptor	RG174 / RG316
Impedance	50 Ω
Frequency Range	DC - 6 GHz
V.S.W.R.	≤ 1.30
Working Voltage	≤ 335 Vrms
Dielectric Withstanding Voltage	≤ 1000 Vrms

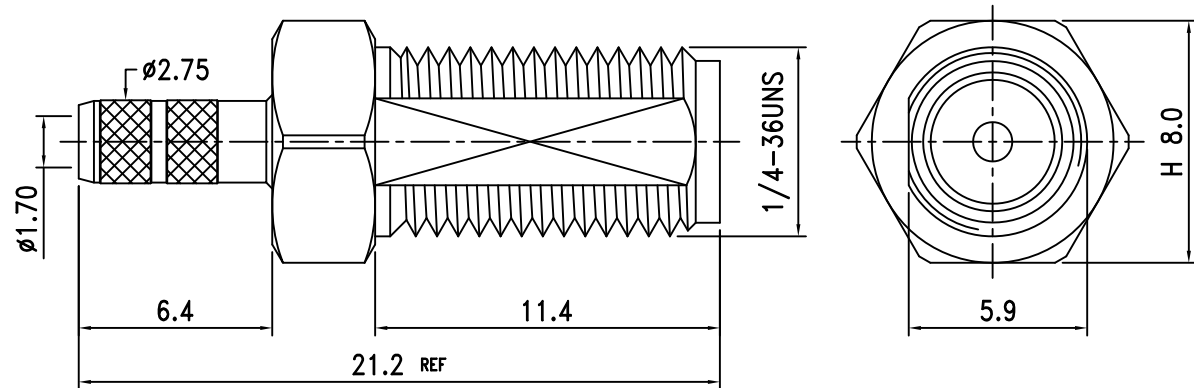
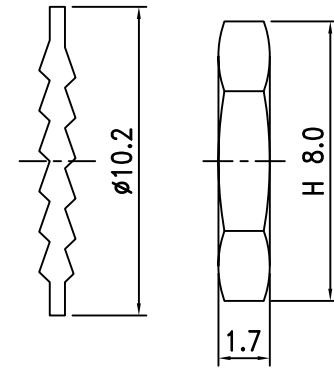


RECOMMENDED  
CABLE STRIPPING DIM'S



RECOMMENDED  
CRIMPING TOOL SIZE

RECOMMENDED  
MOUNTING HOLE



ROHS  
COMPLIANT

NO.	DESCRIPTION	MATERIAL	Q' TY	FINISH
6.	Nut	Brass	1	Gold
5.	Washer	Brass	1	Gold
4.	Ferrule	Brass	1	Gold
3.	Insulation	PTFE	1	White
2.	Pin	Beryllium	1	Gold
1.	Body	Brass	1	Gold

繪圖DRAWN	SCALE	UNITS
Jenny	比例 4:1	單位 mm
審核CHECKED	公差TOLERANCE	
Peter	.X	±0.2
主管APPROVAL	.XX	±0.1
	.XXX	±0.05
Peter	ANGLE	±0.5°



夏尼有限公司  
SHINING PRECISION CO., LTD

圖名  
TITLE  
版次REV.  
A

SMA-15L-TGG  
For Cable RG174U / 316U  
電腦圖檔CAD FILE  
日期DATE  
C:/SHINING/SMA-FINISH/LUS/SMA-15L.DWG  
2017.06.06