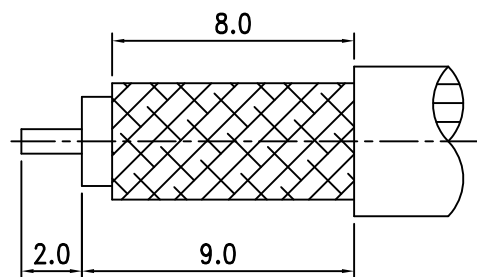
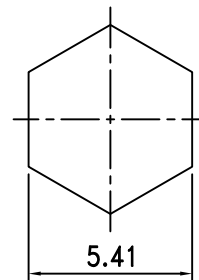


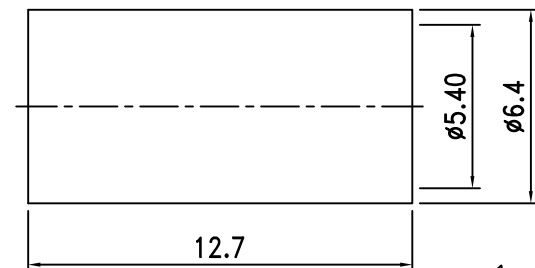
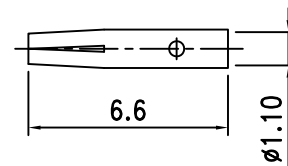
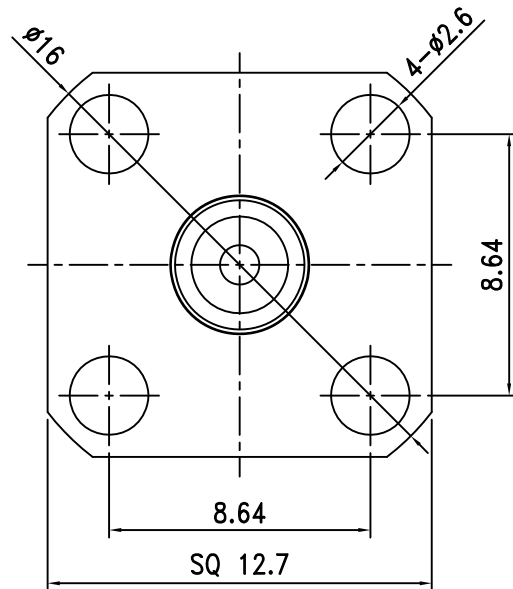
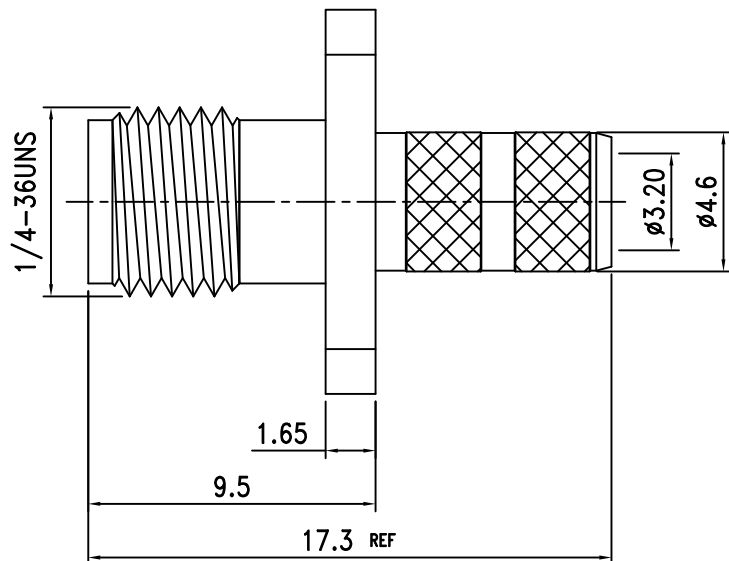
Electrical Characteristics	
Impedance	50 Ω
Frequency Range	0 ~ 6 GHz
V.S.W.R.	≦ 1.3 Max.



RECOMMENDED  
CABLE STRIPPING DIM'S



RECOMMENDED  
CRIMPING TOOL SIZE



ROHS  
COMPLIANT

NO.	DESCRIPTION	MATERIAL	Q' TY	FINISH
5.	Barrel	Brass	1	Gold
4.	Ferrule	Brass	1	Gold
3.	Insulation	PTFE	1	White
2.	Pin	Beryllium	1	Gold
1.	Body	Brass	1	Gold

繪圖DRAWN	SCALE	UNITS
Jenny	比例 4:1	單位 mm
審核CHECKED	公差TOLERANCE	
Peter	.X	±0.2
主管APPROVAL	.XX	±0.1
	.XXX	±0.05
Peter	ANGLE	±0.5°

圖名		夏尼有限公司 SHINING PRECISION CO., LTD	
TITLE		SMA-35F-TGG	
版次REV.		For Cable RG-58U / LMR195	
A		電腦圖檔CAD FILE	日期DATE
		C:/SHINING/SMA-FINISH/LUS/SMA-35F.DWG	2017.06.07