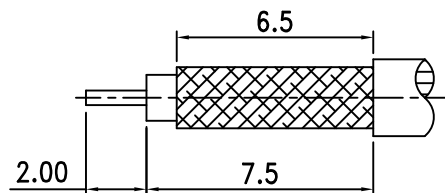
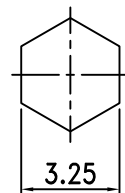


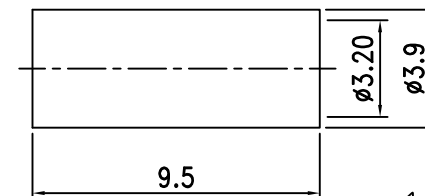
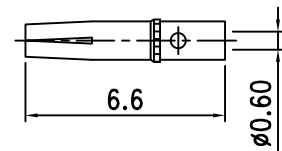
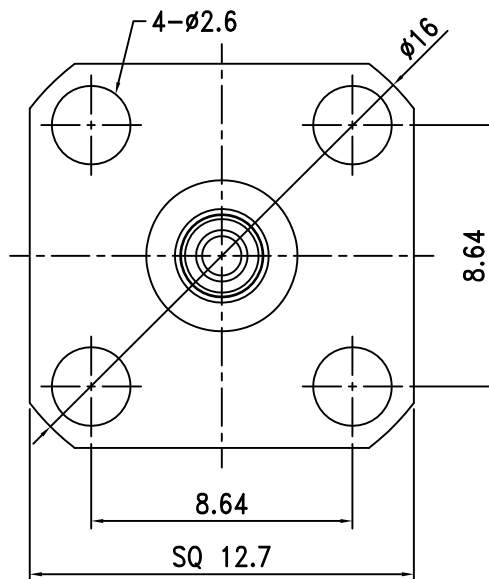
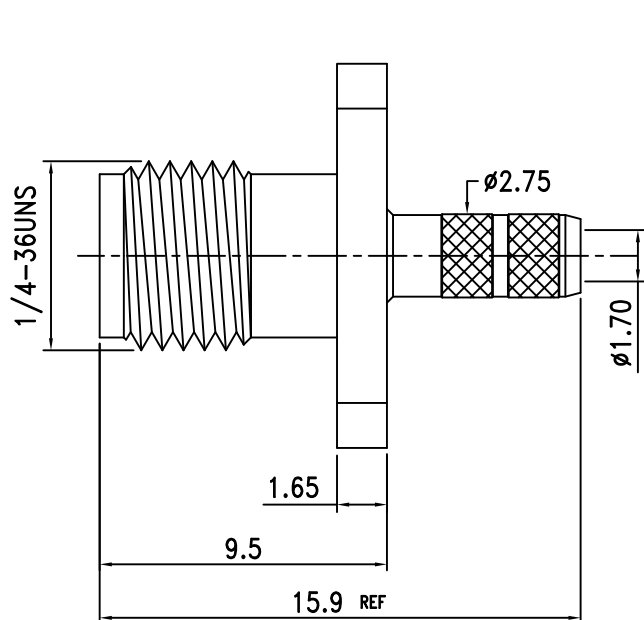
Electrical Characteristics	
Impedance	50 Ω
Frequency Range	0 ~ 6 GHz
V.S.W.R.	≦ 1.3 Max.



RECOMMENDED  
CABLE STRIPPING DIM'S



RECOMMENDED  
CRIMPING TOOL SIZE



ROHS  
COMPLIANT

NO.	DESCRIPTION	MATERIAL	Q' TY	FINISH
5.	Barrel	Brass	1	Gold
4.	Ferrule	Brass	1	Gold
3.	Insulation	PTFE	1	White
2.	Pin	Beryllium	1	Gold
1.	Body	Brass	1	Gold

繪圖DRAWN	SCALE	UNITS
Jenny	比例 4:1	單位 mm
審核CHECKED	公差TOLERANCE	
Peter	.X	±0.2
主管APPROVAL	.XX	±0.1
	.XXX	±0.05
Peter	ANGLE	±0.5°



夏尼有限公司  
SHINING PRECISION CO., LTD

圖名  
TITLE

SMA-35L-TGG  
For Cable RG-174U / RG316U

版次REV.

電腦圖檔CAD FILE

日期DATE

A

C:/SHINING/SMA-FINISH/LUS/SMA-35L.DWG

2017.06.07