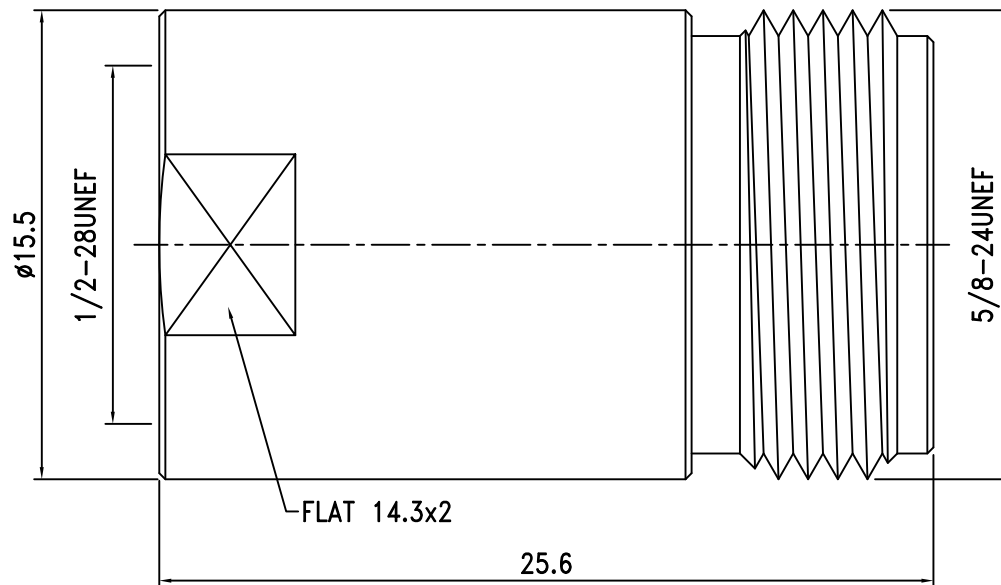


Electrical Characteristics	
Impedance	50 Ω
Frequency Range	0 ~ 6 GHz
V.S.W.R.	≦ 1.3 Max.



ROHS  
COMPLIANT

NO.	DESCRIPTION	MATERIAL	Q' TY	FINISH
4.	Press it Washer	Brass	1	Nickel
3.	Insulation	PTFE	1	White
2.	Pin	Brass	1	Gold
1.	Body	Brass	1	Nickel

繪圖DRAWN	SCALE	UNITS
Jenny	比例 4:1	單位 mm
審核CHECKED	公差TOLERANCE	
Peter	.X	±0.2
主管APPROVAL	.XX	±0.1
	.XXX	±0.05
Peter	ANGLE	±0.5°

	夏尼有限公司 SHINING PRECISION CO., LTD	
圖名 TITLE	25-02-1-TGN	
版次REV.	電腦圖檔CAD FILE	日期DATE
A	C:/SHINING/KIT-PARTS/25-02-1.DWG	2011.12.30