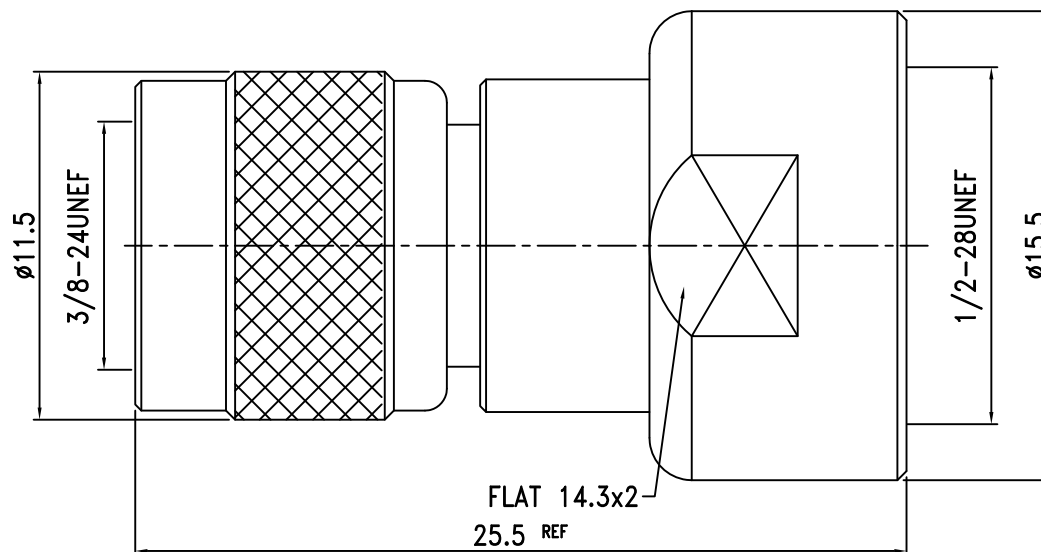


Electrical Characteristics	
Impedance	50 Ω
Frequency Range	0 ~ 2 GHz
V.S.W.R.	≦ 1.3 Max.



ROHS
COMPLIANT

NO.	DESCRIPTION	MATERIAL	Q' TY	FINISH
5.	Shell	Brass	1	Nickel
4.	Press it Washer	Brass	1	Nickel
3.	Insulation	PTFE	1	White
2.	Pin	Brass	1	Gold
1.	Body	Brass	1	Nickel

繪圖DRAWN	SCALE	UNITS
Jack	比例 4:1	單位 mm
審核CHECKED	公差TOLERANCE	
<i>Peter</i>	.X	±0.2
主管APPROVAL	.XX	±0.1
	.XXX	±0.05
<i>Peter</i>	ANGLE	±0.5°

圖名 TITLE		夏尼有限公司 SHINING PRECISION CO., LTD	
版次REV.	25-03-TGN	電腦圖檔CAD FILE	日期DATE
B	C:/SHINING/KIT-PARTS/25-03.DWG		2016.04.29