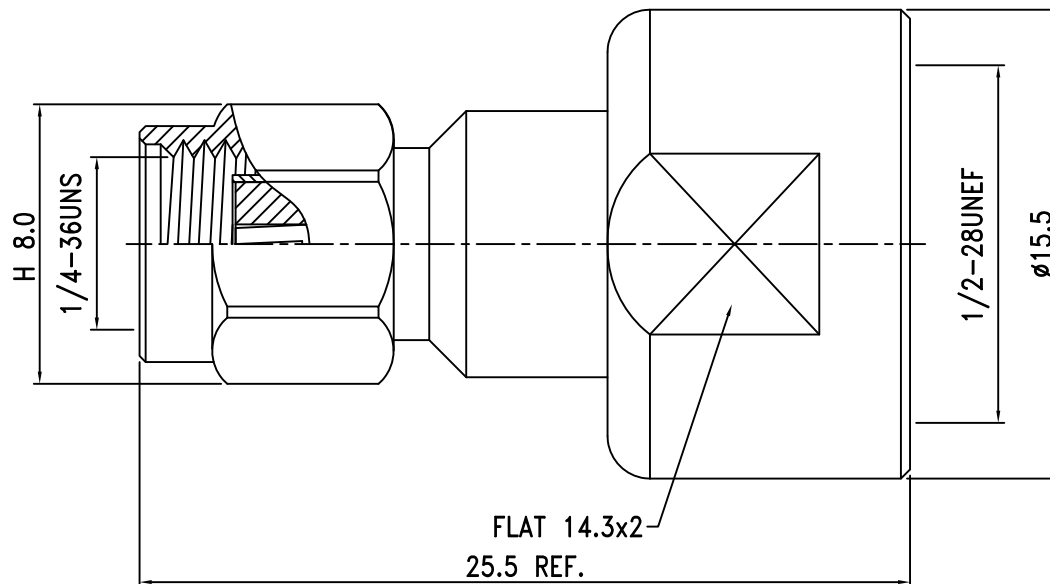


Electrical Characteristics	
Impedance	50 Ω
Frequency Range	0 ~ 6 GHz
V.S.W.R.	≤ 1.3 Max.



ROHS  
COMPLIANT

7.	Shell	Brass	1	Nickel
6.	Gasket	Silicone	1	Red
5.	Retaining Ring	SUS304	1	None
4.	Press it Washer	Brass	1	Nickel
3.	Insulation	PTFE	1	White
2.	Pin	Brass	1	Gold
1.	Body	Brass	1	Nickel
NO.	DESCRIPTION	MATERIAL	Q' TY	FINISH

繪圖DRAWN	SCALE	UNITS	Shining	夏尼有限公司 SHINING PRECISION CO., LTD	
Kelly	比例 4:1	單位 mm		圖名 TITLE	25-11-S1-RP-TGN
審核CHECKED	公差TOLERANCE		版次REV.	電腦圖檔CAD FILE	日期DATE
Peter	.X	±0.2	A	C:/SHINING/KIT-PARTS/25-11-S1-RP.DWG	2020.06.16
主管APPROVAL	.XX	±0.1			
	.XXX	±0.05			
Peter	ANGLE	±0.5°			