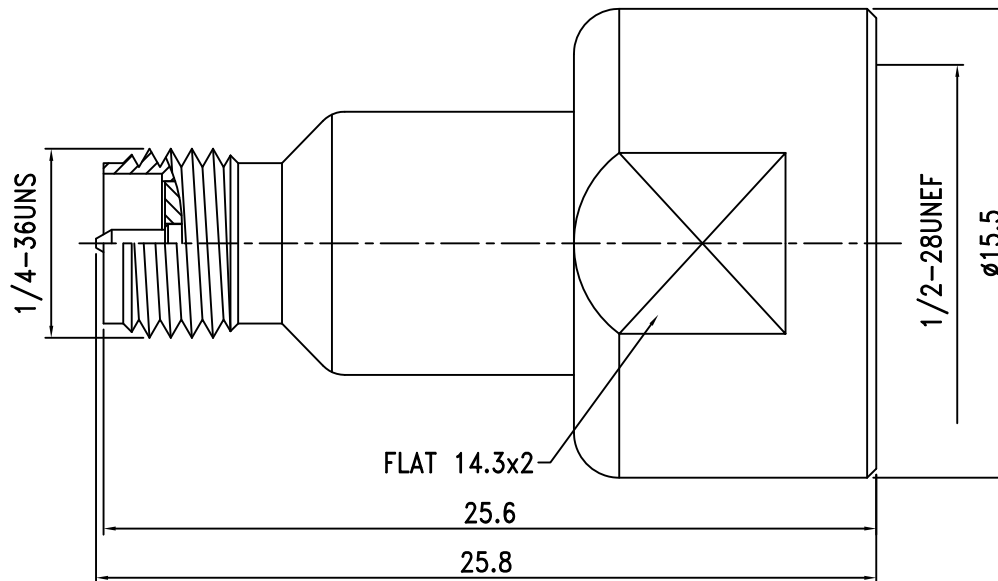


Electrical Characteristics	
Impedance	50 Ω
Frequency Range	0 ~ 6 GHz
V.S.W.R.	≦ 1.3 Max.



ROHS
COMPLIANT

4.	Press it Washer	Brass	1	Nickel
3.	Insulation	PTFE	1	White
2.	Pin	Brass	1	Gold
1.	Body	Brass	1	Nickel
NO.	DESCRIPTION	MATERIAL	Q' TY	FINISH

繪圖DRAWN	SCALE	UNITS
Jenny	比例 4:1	單位 mm
審核CHECKED	公差TOLERANCE	
Peter	.X	±0.2
主管APPROVAL	.XX	±0.1
Peter	.XXX	±0.05
	ANGLE	±0.5°

	夏尼有限公司 SHINING PRECISION CO., LTD	
圖名 TITLE	25-12-RP-TGN	
版次REV.	電腦圖檔CAD FILE	日期DATE
A	C:/SHINING/KIT-PARTS/25-12-RP.DWG	2005.09.30