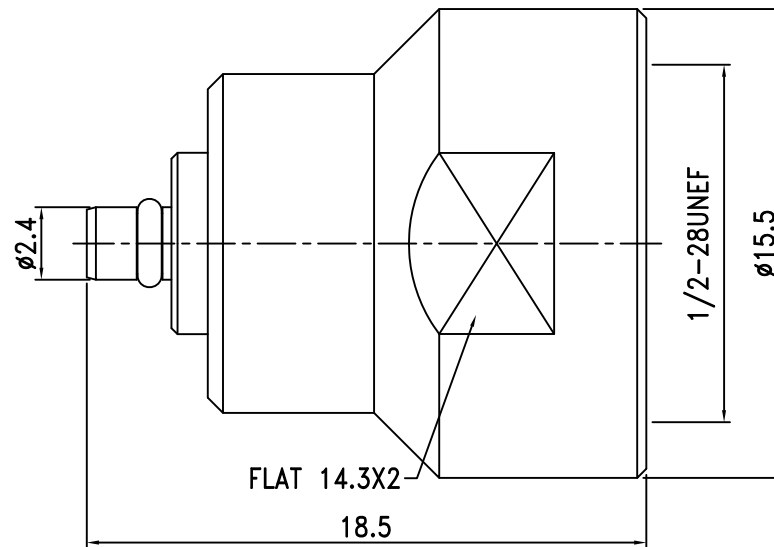


Electrical Characteristics	
Impedance	50 Ω
Frequency Range	0 ~ 6 GHz
V.S.W.R.	≤ 1.3 Max.



ROHS
COMPLIANT

6.	Retaining Ring	Beryllium	1	Gold
5.	Washer	Brass	1	Nickel
4.	Insulation	PTFE	1	None
3.	Insulation	PTFE	1	None
2.	Pin	Brass	1	Gold
1.	Body	Brass	1	Nickel
NO.	DESCRIPTION	MATERIAL	Q' TY	FINISH

繪圖DRAWN	SCALE	UNITS	夏尼有限公司 SHINING PRECISION CO., LTD	
Jenny	比例 4:1	單位 m/m	圖名 TITLE 25-16-TGN	
審核CHECKED	公差TOLERANCE			
Peter	.X	±0.2	版次REV.	電腦圖檔CAD FILE
主管APPROVAL	.XX	±0.1	A	日期DATE
Peter	.XXX	±0.05	C:/SHINING/KIT-PARTS/25-16.DWG	94.10.13
	ANGLE	±0.5°		