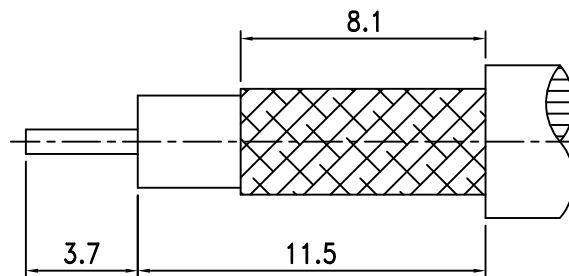
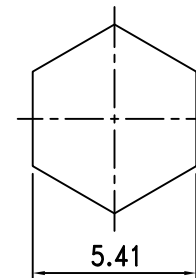


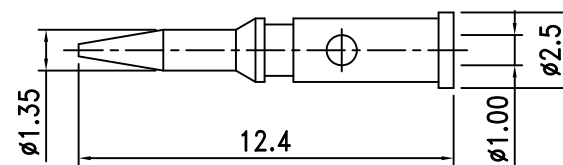
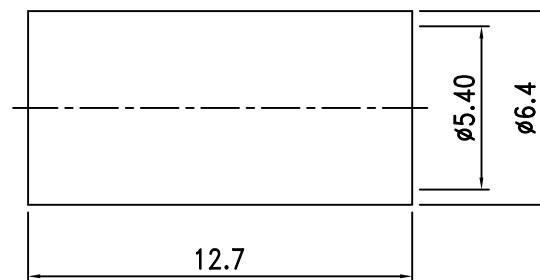
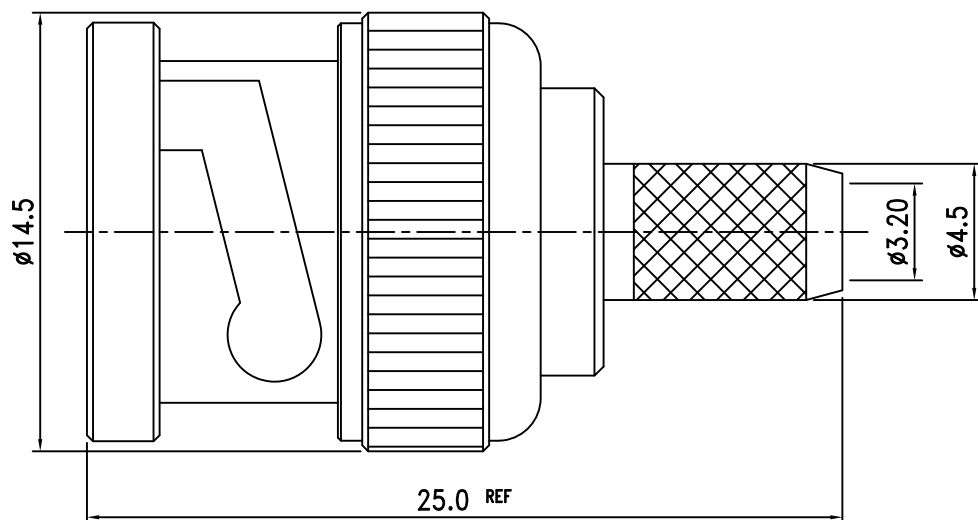
Electrical Characteristics	
Cable or Adaptor	RG58
Impedance	50 Ω
Frequency Range	DC - 4 GHz
V.S.W.R.	≦ 1.30
Working Voltage	≦ 500 Vrms
Dielectric Withstanding Voltage	≦ 1500 Vrms



RECOMMENDED
CABLE STRIPPING DIM'S



RECOMMENDED
CRIMPING TOOL SIZE



9.	Ferrule	Brass	1	Nickel
8.	Shell	Brass	1	Nickel
7.	Gasket	Rubber	1	Red
6.	Retaining Ring	SK-5	1	Nickel
5.	Spring	SK-5	1	Nickel
4.	Washer	Brass	1	Nickel
3.	Insulation	PTFE	1	White
2.	Pin	Brass	1	Gold
1.	Body	Brass	1	Nickel
NO.	DESCRIPTION	MATERIAL	Q' TY	FINISH

繪圖DRAWN	SCALE	UNITS
Jenny	比例 4:1	單位 mm
審核CHECKED	公差TOLERANCE	
Peter	.X	±0.2
主管APPROVAL	.XX	±0.1
	.XXX	±0.05
Peter	ANGLE	±0.5°

圖名 TITLE	夏尼有限公司 SHINING PRECISION CO., LTD	
BNC-04F-TGN For Cable RG-58U		
版次REV.	電腦圖檔CAD FILE	日期DATE
A	C:/SHINING/BNC-PARTS/BNC-04F-TGN.DWG	2011.11.02

ROHS
COMPLIANT