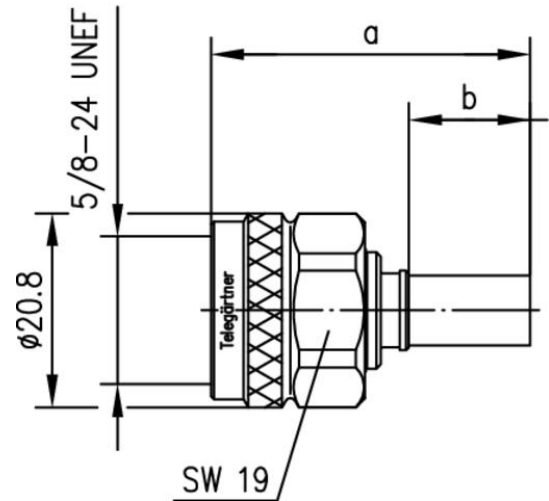
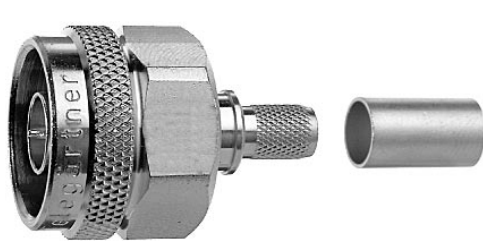


order number: J01020A0127

N Straight Plug Crimp G37 (2.7/7.25) crimp/crimp



| Technical Attributes | |
|----------------------|---|
| Cable group; cable | G37 (2.7/7.25) 9914 9913 SPEEDFOAM 400 HFJ 2.7/7.3 AF 2.7/7.3 CF 213CRT7 LOW LOSS 7810A WCX400 9913F C2FCP C2FP CNT-400 HPF 400 MRC 400 AFB TZC 500 32 WBC-400 LMR-400 |
| Remarks | crimp/crimp |
| Dimensions | a=36.5, b=14.5 |
| Assembly | B3426 |
| Crimp die | N01001A0030 |

Product description

The N series is a very popular coax connector. It is a medium sized, precision, weatherproof connector supplied with a screw coupling. In some applications this connector can be used up to 11 GHz. Only 50 Ω impedances are available. Connector styles are available for flexible, conformable, semi-rigid and corrugated cable types. Both crimp and clamp cable termination processes are used for this series. Special design techniques for this series of connectors have resulted in excellent levels of performance with regard to return loss (VSWR) and intermodulation distortion. Applications for these connectors vary from signal and data transmission where vibration resistance and environmental protection is required. N series provides a medium-power high-frequency solution for coax connections.

Mating face sealing for N connectors between plug and jack (mated) according to IP 68. The classifications are general statements for the relevant series. Individual connectors may deviate from the values shown. If in doubt, please consult our engineers.

| Mechanical Characteristics | |
|-----------------------------|--|
| Recommended coupling torque | 4 - 6 Nm |
| Durability (mating cycles) | ≥ 500 |
| Material: spring contacts | CuBe2, CuNi1Pb1P(C97) |
| Material: outer conductor | CuZn39Pb3 |
| Material: other metal parts | CuZn39Pb3 |
| Material: insulators | PTFE PTFE |
| Material: gaskets | Silicone |
| Finish: Inner conductor | Cu2Ag5 |
| Finish: Outer conductor | CuSnZn3 (Telealloy); Ag2CuSnZn0.5 (Optargen) |
| Finish: Other metal parts | CuSnZn3 (Telealloy), Cu2Ni5 |

| Climatic Characteristics | |
|---|-----------|
| Climatic category acc. to IEC 60068 - 1 | 55/155/21 |

| Electrical Characteristics | |
|------------------------------------|------------------------------|
| Contact resistance inner conductor | ≤ 1.5 mΩ |
| Contact resistance outer conductor | ≤ 1.0 mΩ |
| Insulation resistance | ≥ 5 GΩ |
| Voltage proof | 2.5 kV _{eff} /50 Hz |
| Impedance | 50 Ω |

| | |
|-----------------------------|----------------------|
| Return loss: Straight style | ≥ 30.5 dB/1 GHz |
| Return loss: Angle style | ≥ 30.5 dB/1 GHz |
| Working voltage | ≤ 1 kVeff/50 Hz |
| Frequency range up to | 11 GHz |

| | |
|---------------|--|
| Standards | |
| IEC 61 169-16 | |

Note

Combination connectors and cable clamps can be utilised to create a further number of N connector variations.

RF cable assemblies with N connectors upon request.