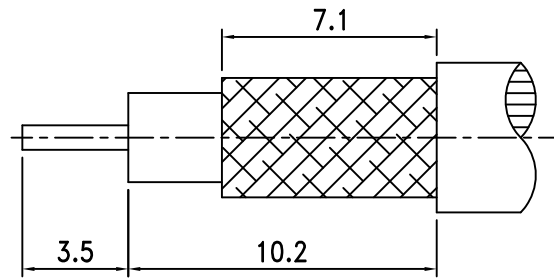
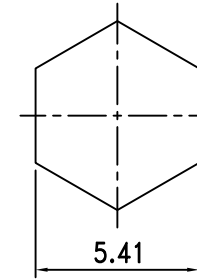


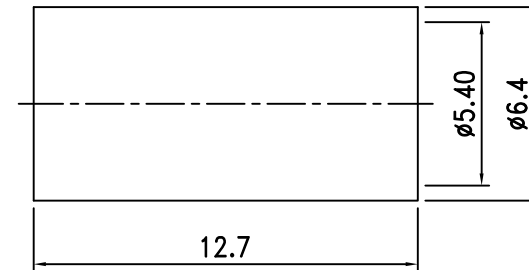
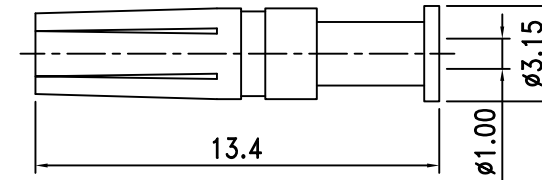
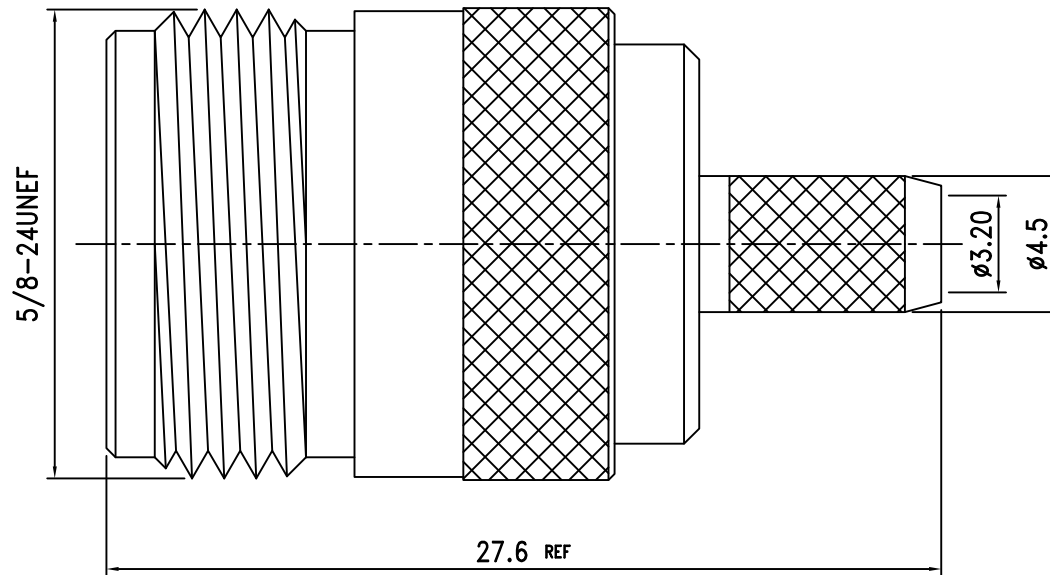
Electrical Characteristics	
Impedance	50 Ω
Frequency Range	0 ~ 4 GHz
V.S.W.R.	≤ 1.35 Max.



RECOMMENDED  
CABLE STRIPPING DIM'S



RECOMMENDED  
CRIMPING TOOL SIZE



ROHS  
COMPLIANT

NO.	DESCRIPTION	MATERIAL	Q' TY	FINISH
5.	Ferrule	Brass	1	Nickel
4.	Insulation	PTFE	1	White
3.	Pin	Brass	1	Gold
2.	Barrel	Brass	1	Nickel
1.	Body	Brass	1	Nickel

繪圖DRAWN	SCALE	UNITS
Jenny	比例 4:1	單位 mm
審核CHECKED	公差TOLERANCE	
Peter	.X	±0.2
主管APPROVAL	.XX	±0.1
	.XXX	±0.05
Peter	ANGLE	±0.5°



夏尼有限公司  
SHINING PRECISION CO., LTD

圖名 TITLE	N-05F-1-TGN For Cable RG-58U	
版次REV.	電腦圖檔CAD FILE	日期DATE
A	C:/SHINING/N-PARTS/N-05F-1.DWG	2011.03.22