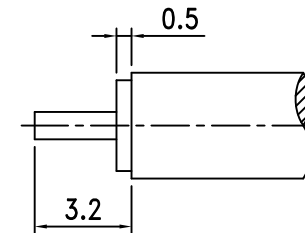
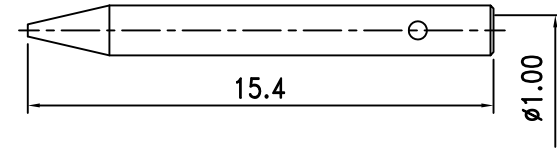
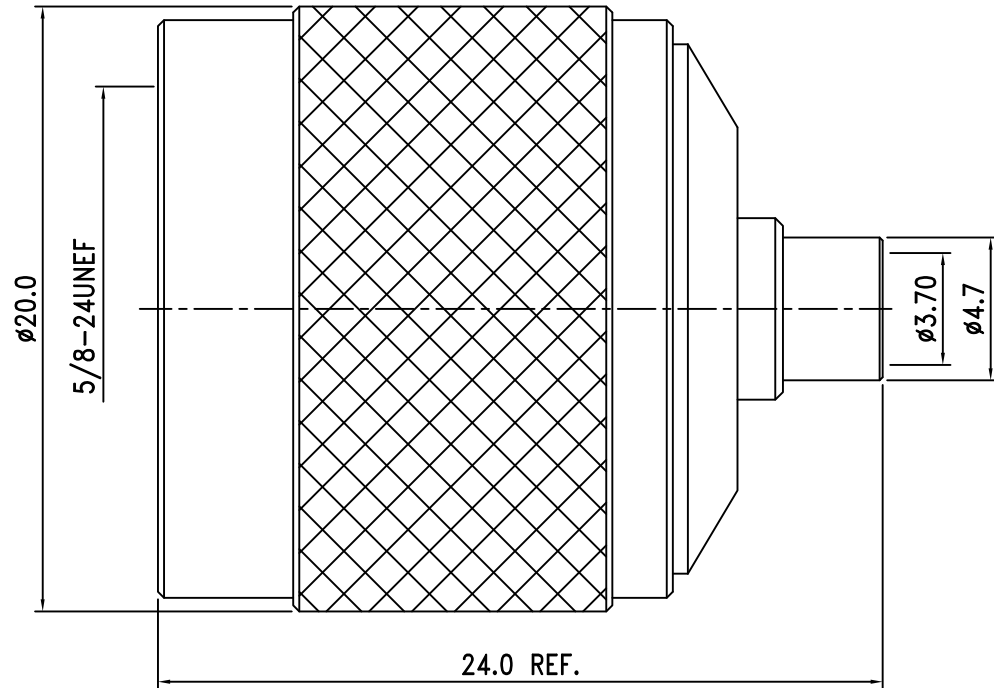


Electrical Characteristics	
Impedance	50 Ω
Frequency Range	0 ~ 18 GHz
V.S.W.R.	≦ 1.3 Max.



RECOMMENDED  
CABLE STRIPPING DIM'S

ROHS  
COMPLIANT

7.	Shell	Brass	1	Nickel
6.	Gasket	Si-Rubber	1	Red
5.	Retaining Ring	Brass	1	None
4.	Barrel	Brass	1	Gold
3.	Insulation	PTFE	1	White
2.	Pin	Brass	1	Gold
1.	Body	Brass	1	Nickel
NO.	DESCRIPTION	MATERIAL	Q' TY	FINISH

繪圖DRAWN	SCALE	UNITS
Louis	比例 4:1	單位 mm
審核CHECKED	公差TOLERANCE	
Louis	.X	±0.2
主管APPROVAL	.XX	±0.1
	.XXX	±0.05
Peter	ANGLE	±0.5°



夏尼有限公司  
SHINING PRECISION CO., LTD

圖名 TITLE	N-43-141-1-TGN-18G For Cable Semi-rigid.141 (SS402)	
版次REV.	電腦圖檔CAD FILE	日期DATE
A	C:/SHINING/N-PARTS/N-43-141-1-18G.DWG	2018.01.11