

# **Wireless Soil Volume Water Content \ Temperature \ Electrical Conductivity R718PB14 Data Sheet**

---

Wireless Sensor Network Based on LoRa Technology



**R718PB14**

**Copyright©Netvox Technology Co., Ltd.**

This document contains proprietary technical information which is the property of NETVOX Technology. It shall be maintained in strict confidence and shall not be disclosed to other parties, in whole or in part, without written permission of NETVOX Technology.

The specifications are subject to change without prior notice.

---

## **Wireless Soil Volume Water Content \Temperature \Electrical Conductivity**

---

### **General Description**

The device is a wireless communication device that detects soil temperature and moisture content and soil conductivity, and transmits the detected data to other devices through LoRa network. The SX1276 wireless communication method is adopted.

### **Main Characteristics**

- Adopt SX1276 wireless communication module
- 2 ER14505 batteries AA SIZE (3.6V / section) parallel power supply
- Protection class IP65
- The base is attached with a magnet that can be attached to a ferrous object
- Soil moisture content detection
- Soil temperature detection
- Soil conductivity

### **Example Applications**

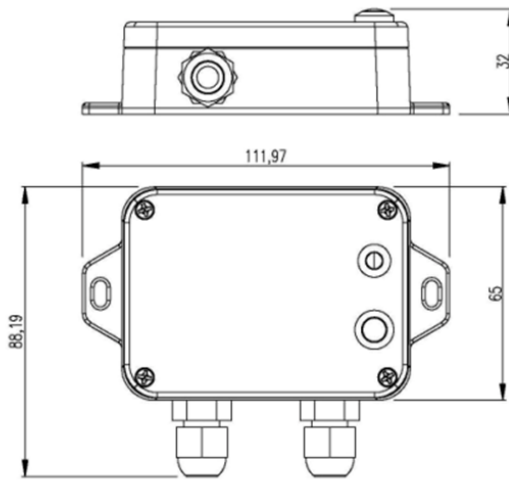
- Soil moisture content detection
- Soil temperature detection
- Soil conductivity
- Other

### **Features of NETVOX Sensors**

- Frequency Hopping Spread Spectrum (FHSS)
- Improved interference immunity
- Improved power management for longer battery life
- Encrypt-RF™ Security (Diffie-Hellman Key Exchange + AES-128 CBC for sensor data messages)
- Battery Life\*2:
  - Please refer to web: [http://www.netvox.com.tw/electric/electric\\_calc.html](http://www.netvox.com.tw/electric/electric_calc.html)
  - At this website, users can find battery life time for varier models at different configurations.
- Over-the-air updates (future)
- Third-Party online wireless sensor monitoring and notification system to configure sensors, view data and set alerts via SMS text and email (optional)
- Available third-party platform: Actility/ThingPark, TTN, MyDevices/Cayenne

\*1. Actual range may vary depending on environment.

\*2. Battery life is determined by sensor reporting frequency and other variables

**Wireless Soil Volume Water Content \Temperature \Electrical Conductivity**
**Technical Specifications**


(Uni. mm)

**Electric**

Power Supply	2 ER14505 batteries AA SIZE (3.6V / section) parallel power supply
Battery Life Time	Battery life is about 3.4 years (Condition: ambient temperature 25 ° C. Report once every 15 minutes. Txpower = 20 dBm. LoRa spread factor SF = 10)
Sleeping Mode	36uA
Wake up Mode	6.3mA@3.3V
Receiving Current (RX)	11mA @3.3V
Transmitting Current (TX)	120mA/3.3V
Battery Voltage Measurement Accuracy	±0.1V

**Frequency**

TX Power	19dBm±1dBm
Rx Sensitivity	-136dBm (LoRa, Spreading Factor=12, Bit Rate=293bps ) -121dBm (FSK,Frequency deviation=5kHz, Bit Rate=1.2kbps)
Antenna Type	Build-in antenna
Communication Range	Up to 10 km, the actual transmission distance depends on the environment.

**Wireless Soil Volume Water Content \Temperature \Electrical Conductivity**

Data Transfer Rate	0.3kbps~50kbps
Spread Technique	LoRa/FSK
Available Frequency	EU863-870, US902-928, AU915-928, KR920-923, AS923, CN470-510 Configured before shipment

**5TE Sensor**

Rated Power Supply	3.6VDC-15VDC
Soil Temperature Measurement Accuracy	+/-1°C @25°C
Soil Moisture Content Resolution	0.08% vwc (within 0-50% vwc range)
Soil Moisture Content Accuracy	+/-3% vwc (typical)

**Physical**

Dimension	L:112mm*W:88.19mm*H:32mm
Weight	160g
Working Temp	-20° C ~ +55° C
Storage Temp	-40°C ~ +85°C
Humidity Detecting Range	< 90%RH

**Contact:****NETVOX TECHNOLOGY CO., LTD.**

TEL: 886-6-2617641

FAX: 886-6-2656120

E-mail: sales@netvox.com.tw

WEB: www.netvox.com.tw

**NETVOX TECHNOLOGY CO., LTD (XIAMEN)**

TEL: 86-592-5717188

FAX: 86-592-5717180

E-mail: dyx@netvox.com.cn

WEB: www.netvox.com.cn