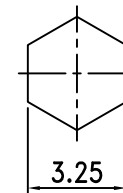
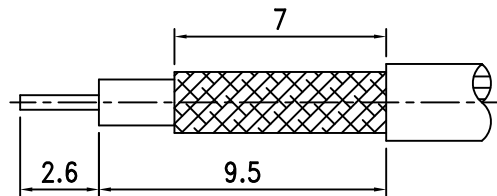
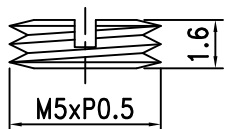
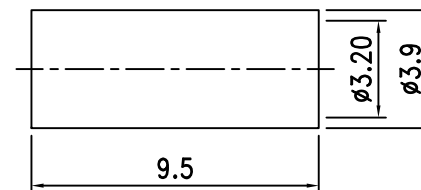
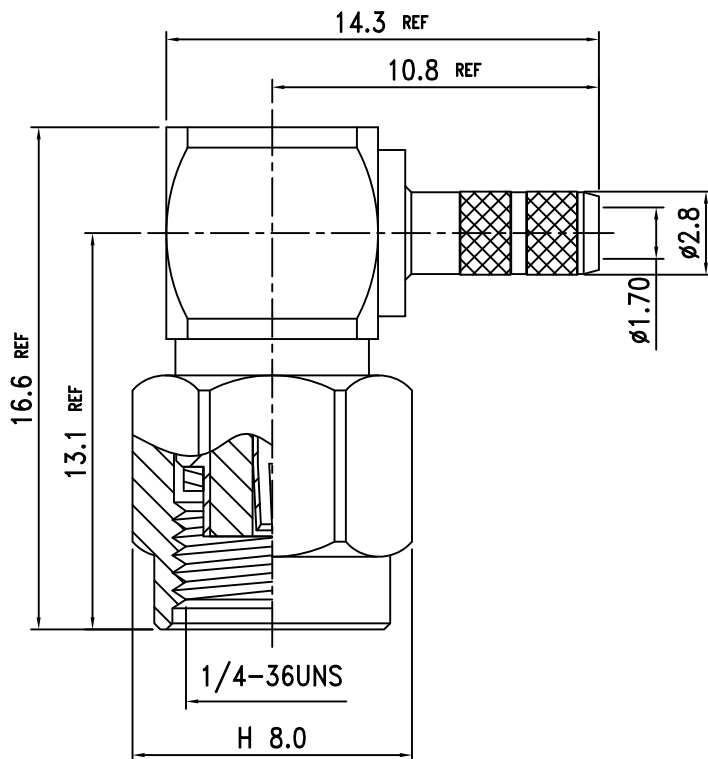


Electrical Characteristics	
Impedance	50 Ω
Frequency Range	0 ~ 6 GHz
V.S.W.R.	≤ 1.5 Max.



RECOMMENDED  
CABLE STRIPPING DIM'S

RECOMMENDED  
CRIMPING TOOL SIZE



9.	Screw	Brass	1	Gold
8.	Ferrule	Brass	1	Gold
7.	Shell	Brass	1	Gold
6.	Gasket	Silicone	1	Red
5.	Retaining Ring	Beryllium	1	None
4.	Insulation	PTFE	1	White
3.	Pin	Beryllium	1	Gold
2.	Body	Brass	1	Gold
1.	Body	Brass	1	Gold
NO.	DESCRIPTION	MATERIAL	Q' TY	FINISH

繪圖DRAWN	SCALE	UNITS	
Jenny	比例 4:1	單位	mm
審核CHECKED		公差TOLERANCE	
Peter	.X	±0.2	
主管APPROVAL	.XX	±0.1	
	.XXX	±0.05	
Peter	ANGLE	±0.5°	



夏尼有限公司  
SHINING PRECISION CO., LTD

圖名  
TITLE

SMA-01L-RP-TGG For Cable RG-174U

版次REV.

電腦圖檔CAD FILE

日期DATE

A

C:/SHINING/SMA-FINISH/LUS/SMA-01L-RP.DWG

2004.11.04

ROHS  
COMPLIANT