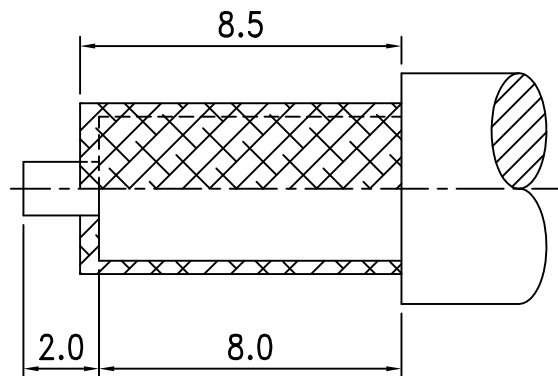
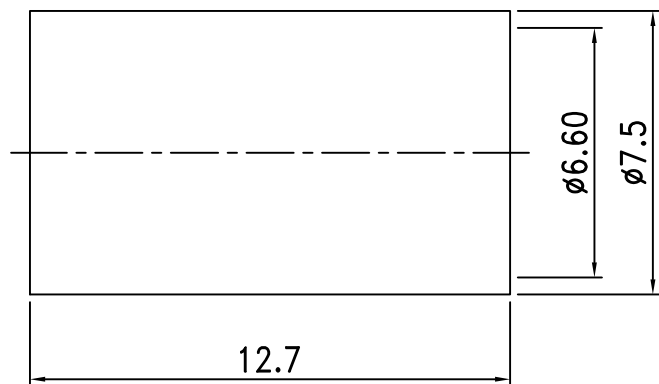
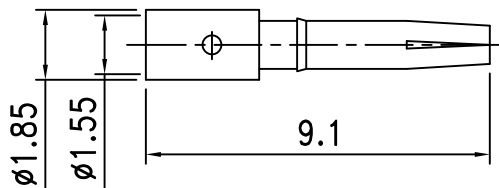
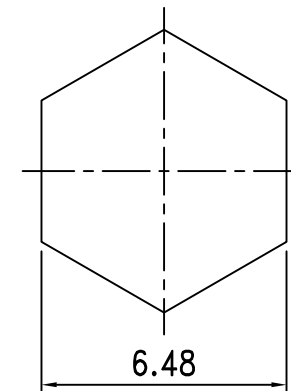


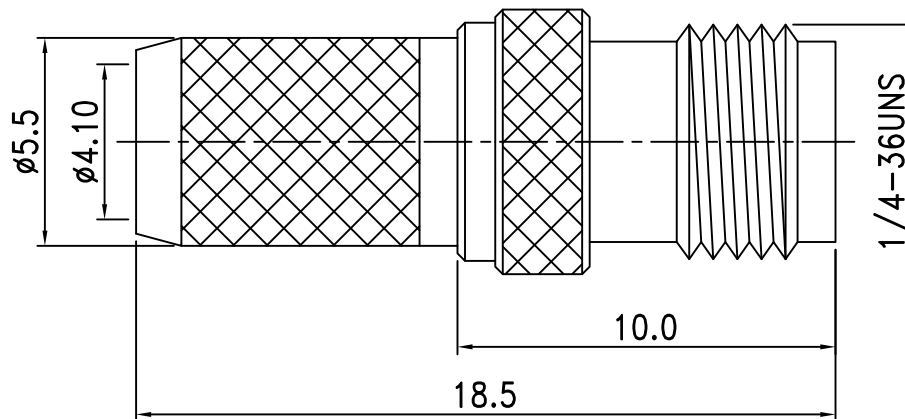
Electrical Characteristics	
Cable or Adaptor	LMR240
Impedance	50 Ω
Frequency Range	DC - 6 GHz
V.S.W.R.	≦ 1.30
Working Voltage	≦ 335 Vrms
Dielectric Withstanding Voltage	≧ 1000 Vrms



RECOMMENDED
CABLE STRIPPING DIM'S



RECOMMENDED
CRIMPING TOOL SIZE



ROHS
COMPLIANT

NO.	DESCRIPTION	MATERIAL	Q' TY	FINISH
4.	Ferrule	Brass	1	Gold
3.	Insulation	PTFE	1	White
2.	Pin	Phosphor Bronze	1	Gold
1.	Body	Brass	1	Gold

繪圖DRAWN	SCALE	UNITS	夏尼有限公司 SHINING PRECISION CO., LTD	
Kelly	比例 5:1	單位 mm	圖名 TITLE SMA-03LM-2-TGG For Cable LMR240	
審核CHECKED	公差TOLERANCE			
Peter	.X	±0.2	版次REV.	電腦圖檔CAD FILE
主管APPROVAL	.XX	±0.1	日期DATE	
Peter	.XXX	±0.05	A	C:/SHINING/SMA-PARTS/SMA-03LM(Z)-2.DWG
	ANGLE	±0.5°		2017.11.28