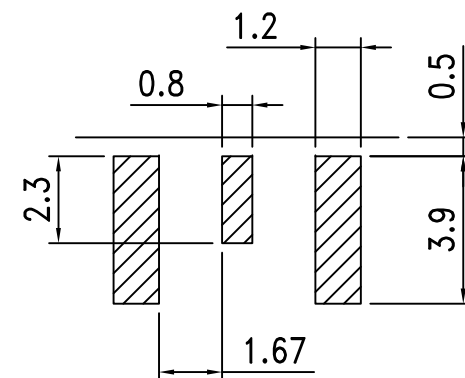
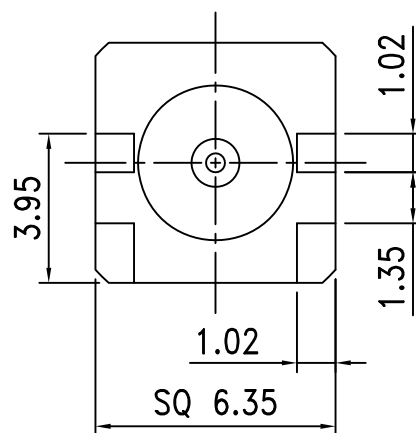
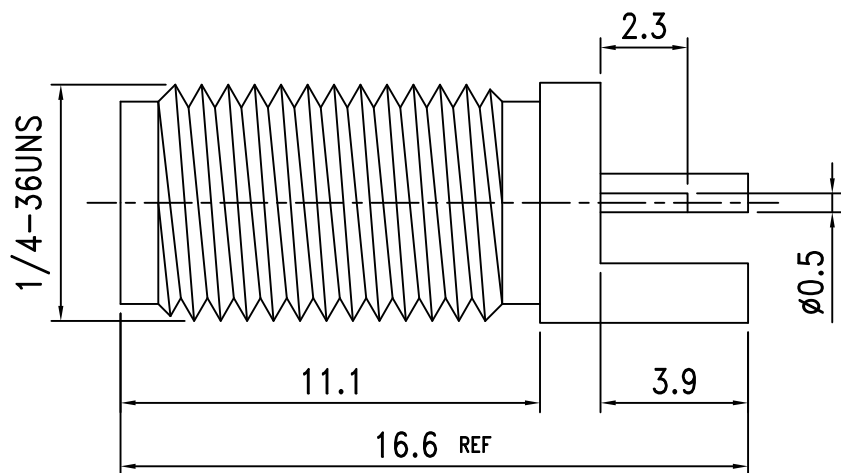


Electrical Characteristics	
Cable or Adaptor	PCB Mount
Impedance	50 Ω
Frequency Range	DC - 6 GHz
V.S.W.R.	≅ 1.30
Working Voltage	≅ 250 Vrms
Dielectric Withstanding Voltage	≅ 750 Vrms



RECOMMENDED FEET PRINT

ROHS
COMPLIANT

NO.	DESCRIPTION	MATERIAL	Q' TY	FINISH
3.	Insulation	PTFE	1	White
2.	Pin	Beryllium	1	Gold
1.	Body	Brass	1	Gold

繪圖DRAWN	SCALE	UNITS
Jenny	比例 5:1	單位 mm
審核CHECKED	公差TOLERANCE	
Peter	.X	±0.2
主管APPROVAL	.XX	±0.1
Peter	.XXX	±0.05
	ANGLE	±0.5°

圖名 TITLE	SMA-37-2-TGG	
版次REV.	電腦圖檔CAD FILE	日期DATE
A	C:/SHINING/SMA-FINISH/LUS/SMA-37-2.dwg	2017.06.06

夏尼有限公司
SHINING PRECISION CO., LTD