

# Power Splitter/Combiner

## XQY-PS2-0.5/6-SI

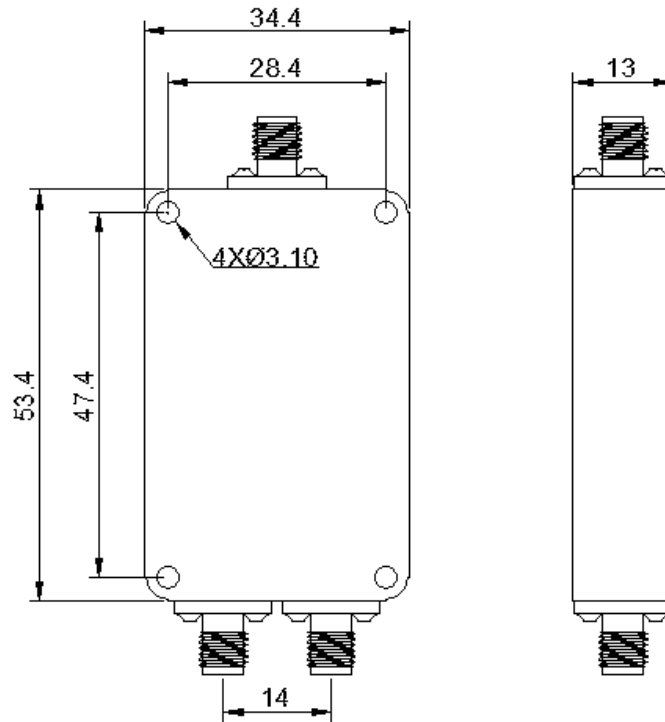
- 2 Way Power Divider
- SMA-Female
- 500 to 6000 MHz



### Electrical Specifications

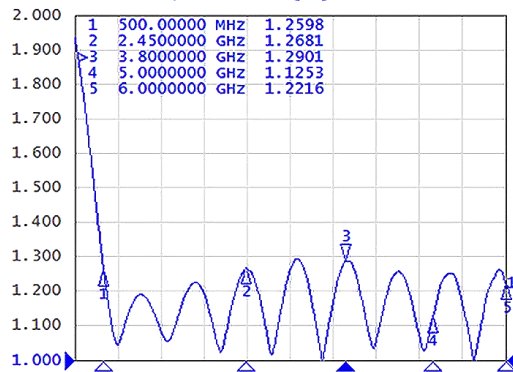
Frequency Range	500-6000 MHz
Insertion Loss	≤ 1.0 dB (Excluding theoretical loss 3.0 dB)
Combined port VSWR	Typ.1.25 / Max.1.3
Distribution port VSWR	Typ.1.12 / Max.1.2
Isolation	Typ.23dB / Min.20dB
Amplitude Balance	≤0.3dB
Phase Balance	±3°
Impedance	50 Ohms
Port Connectors	SMA-Female
Power Rating	Splitter 30W;Combiner 2W
Operation Temperature	-40°C ~ +75°C
Surface Finishing	Sandblasting natural color conductive oxide
Outline Dimensions	53.4*34.4*13 (mm)
Weight	50 (g)

# Outline Dimensions (mm)



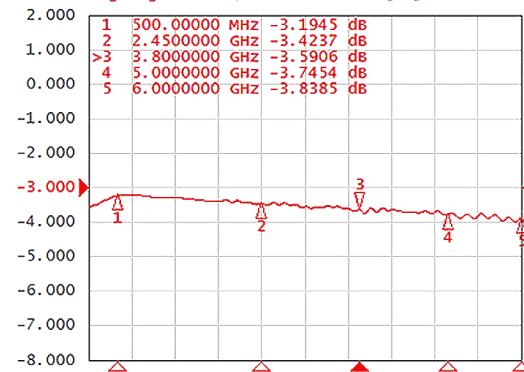
# Typical Performance Curves

Tr1 S11 SWR 100.0m/ Ref 1.000 [F2]



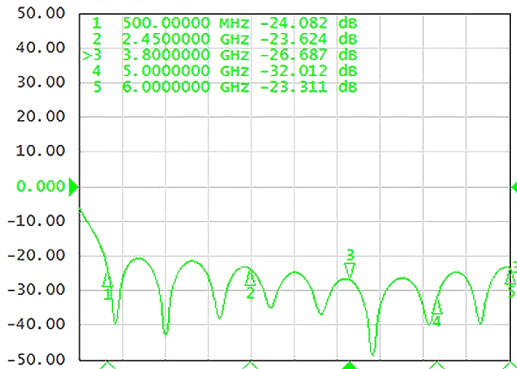
1. Combined Port VSWR

Tr2 S21 Log Mag 1.000dB/ Ref -3.000dB [F2]



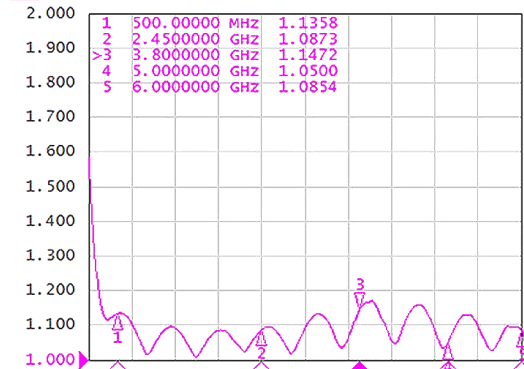
2. Insertion Loss

Tr3 S12 Log Mag 10.00dB/ Ref 0.000dB [F2 Smo]



3. Isolation

Tr4 S22 SWR 100.0m/ Ref 1.000 [F2]



4. Distribution Port VSWR